

# Bushnell®



**ENRAGE**



**INCINERATE**



**TRS-26**



**FIRST STRIKE 2.0**

## *RED DOT SIGHT OWNER'S GUIDE*

Thank you for purchasing your new Bushnell® AR Optics® Red Dot Sight (illuminated optical sight).

This manual will help you optimize your viewing experience by explaining how to utilize the sight's features and how to care for it. Read the instructions carefully before using your sight.



**WARNING! : DO NOT LOOK AT THE SUN THROUGH THE OPTICS, AS PERMANENT EYE DAMAGE OR EVEN BLINDNESS MAY RESULT.**

## ABOUT THE BUSHNELL® AR OPTICS® TACTICAL RED DOT SIGHTS

All the AR Optics models described in this manual are state-of-the-art sights, engineered especially for competitive shooting and target shooting or plinking with handguns, rifles, shotguns and bows, as well as hunting at shorter ranges.

Your sight's illuminated reticle has been pre-focused so the aiming point always appears in focus on the target. By comparison, open sights force you to focus on the rear sight, front sight and target at the same time and bring the target into focus.

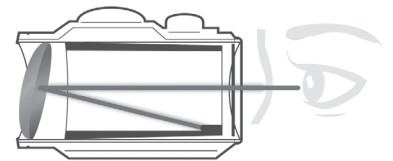
AR Optics Red Dot Sights can be easily used with both eyes open (eye relief is unlimited), increasing the shooter's awareness of the surrounding environment and providing faster target acquisition due to the parallax free design, as the dot follows the movement of the user's eye while remaining fixed on the target. Engineered for greater speed and accuracy, these sights allow you to focus on the target rather than a reticle, thus increasing accuracy. Here's a more detailed look at each model in the AR Optics line of red dot sights:

- The **ENRAGE (AR751305)** is rugged and built to last. Multi-coated optics deliver bright, crisp images for easy target acquisition. The 2 MOA dot has eight brightness settings, with an off setting between each. The included hi-rise mount gives you everything you need, right out of the box. Battery life is approx. 7000 hours at a brightness setting of "4".
- The **INCINERATE (AR750132)** makes target acquisition second nature. The circle-dot reticle features a 25 MOA circle that naturally draws the eye to the 2-MOA center dot, making it ideal for both tactical rifles and shotguns. It has an included hi-rise mount, and eight brightness settings with an off setting between each. The rear sight on Incinerate is compatible with Glock® dovetail sights. Battery life is approx. 6500 hours at a brightness setting of "4".
- The **TRS-26 (AR71XRD)** goes beyond its historic predecessor with improvements in several key areas. The TRS-26 is powered by a long-lasting battery that sets the industry standard with more than 30,000 hours of battery life (at a brightness level of "6"). It delivers a brighter, crisper 3 MOA dot with 11 brightness levels and push-button operation in a compact package. The Bushnell AR Optics TRS-26 is the standard for multipurpose red dots.
- The **FIRST STRIKE 2.0 (AR71XRS)** is two times the red dot its older brother was. The First Strike 2.0 is just as versatile - it includes a hi-rise mount and is at home on both shotguns and flat top MSR's. It features an industry-leading battery life of more than 110,000 hours (at a typical brightness level of "5"), with tool-less side compartment battery removal and a brighter 4 MOA dot with 10 brightness settings. The Bushnell AR Optics First Strike 2.0 improves upon a classic.

**Note:** battery life as listed will vary depending on the brightness settings used (*stated life estimates are based on a typical, medium brightness setting*), freshness and quality of the battery, ambient temperature, and other factors.

## About Red Dot Lens Positioning

All red dot sights have an objective lens at the front of the unit that is spherical in shape. However, unlike a conventional riflescope with all lenses mounted perpendicular (at a 90 degree angle) to the axis of the tube, the objective lens in a red dot sight is positioned off axis and appears to be tilted when looking at the sight (*right*). This angle of the front lens allows the light generated by the battery powered LED light source inside the unit to be reflected back into the sight. The reflected light becomes the "dot" or aiming reference that the shooter sees when a red dot sight is switched on. This engineered "bending" of light is what makes today's red-dot sights so popular and easy to use.



## MOUNTING YOUR AR OPTICS® SIGHT



**WARNING! : BEFORE MOUNTING YOUR SIGHT, REPLACING ITS BATTERY, OR REMOVING OR PERFORMING MAINTENANCE ON THE SIGHT, BE SURE ACTION IS OPEN, CLIP OR MAGAZINE IS REMOVED AND A ROUND IS NOT IN THE CHAMBER. DO NOT ATTEMPT ANY WORK UNTIL THE GUN HAS BEEN CLEARED AND DETERMINED TO BE SAFE.**

Your AR Optics Sight includes a riser block (Enrage, Incinerate, First Strike 2.0) or high rise mount (TRS-26) that fits Picatinny or Weaver style rails.

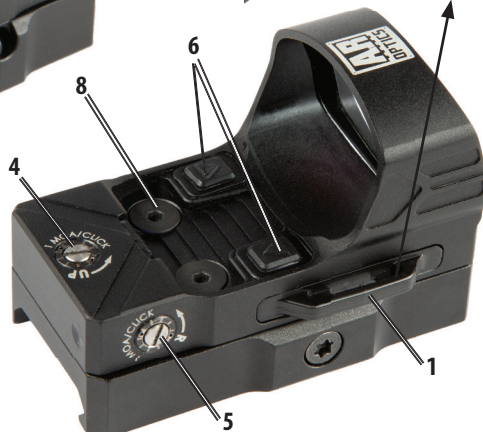
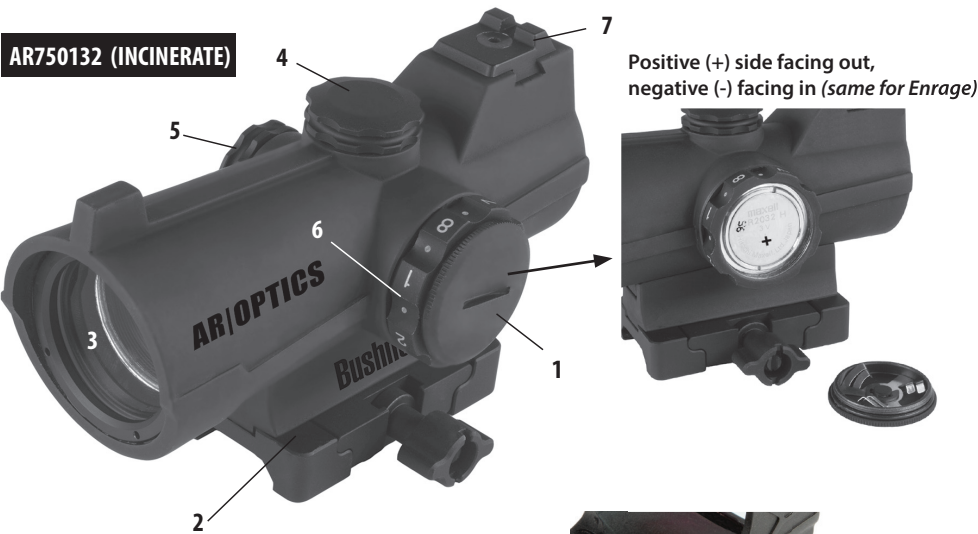
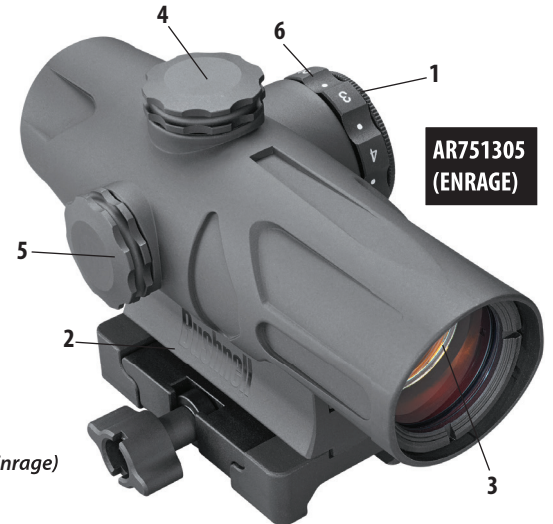
The base or bases you use with your sight should be manufactured specifically for your pistol, rifle or shotgun and should create a uniform horizontal and vertical mounting platform. Be sure they are properly installed and securely fastened according to the manufacturer's instructions for your safety. There is no set eye relief for your AR Optics sight; therefore, you

should provide at least three inches of clearance between the viewing lens and your eye when in the shooting position. Note that firearms with adjustable length-of-pull ("LOP") buttstocks can affect or limit the amount of usable eye relief.

Set the mount onto the base or bases so that it aligns with the crosscut grooves. Work the mount into the base until the crossbolt seats into the groove. Forward load the mount, so that the crossbolt engages the forward groove and clearance is removed. While holding the unit in position, securely tighten the locking nut or mounting plate. The following notes (*next page*) provide some specific mounting details for the various models of AR Optics red dot sights.

## PARTS GUIDE

1. Battery Compartment
2. Mount (w/Hi-Rise insert on Incinerate, Enrage. Hi-Rise is included but not pre-installed on First Strike.)
3. Lens
4. Elevation Adjustment (remove cap if necessary)
5. Windage Adjustment (remove cap if necessary)
6. Brightness Control (rheostat dial or up/down buttons)
7. Optional Rear Sight Mount-fits Glock® dovetail (AR750132 only)
8. Sm. Hex Bolts (AR71XRS only)
9. LED (AR71XRS only)



 **WARNING: IF THE SIGHT IS NOT MOUNTED FAR ENOUGH FORWARD, ITS REARWARD MOTION MAY INJURE THE SHOOTER WHEN THE RIFLE RECOILS.**

## MOUNTING DETAILS BY MODEL

### *Enrage/Incinerate*

1. Set the mount onto the base rail or bases so that they align with the crosscut grooves.
2. Work the mount into the base until the crossbolt seats into the groove.
3. Securely tighten the locking nut with a coin or screwdriver. **CAUTION: Do not overtighten.**

### *TRS-26*

1. Loosen the shaft by means of the provided multi-tool, so that the locking bar can clamp around the Picatinny/ Weaver rail.
2. Install the sight to the weapon rail by tightening the shaft. First, ensure that the sight is correctly positioned and that the shaft fits into a groove on the Picatinny/Weaver rail. To make sure that the shaft is firmly tightened, screw the shaft clockwise until a light resistance can be encountered. **CAUTION: Do not overtighten.**
3. Finally, make sure that the shaft with locking bar is firmly tightened around the base rail.

### *First Strike 2.0*

1. Any Weaver or Picatinny style base is suitable for mounting the First Strike 2.0. Make sure the base you use is manufactured specifically for your pistol, rifle or shotgun. Be sure the base is properly installed and securely fastened according to the manufacturer's instructions for your safety.
2. Loosen the hex bolt on the mount of the sight using the provided tool. Position the mount on your base rail so that the crossbolt engages a slot. Tighten the hex bolt. **CAUTION: Do not overtighten.**

## ACTIVATING THE BATTERY

Before powering on your sight for the first time, you will need to open the battery compartment and remove the protective sticker or plastic disc from the battery. See the Parts Guide for the location of the battery compartment on your model.

## REPLACING THE BATTERY

Should your reticle grow dim or not light at all, replace the battery. To install a new battery, unscrew the round battery compartment cover (*Enrage/Incinerate/TRS-26*) using a coin, or pull out the battery tray\* (*First Strike 2.0*). Insert a new CR2032 lithium battery, noting the position of the positive and negative sides, which varies by model (see *Parts Guide*). Replace battery cover.

*\*(if necessary, insert a small screwdriver in the open slot of the First Strike's battery tray to leverage the tray out slightly first)*

**CAUTION: When replacing the battery cover, be sure that the O-ring is present and not damaged. Failure to do so could result in water leakage into the battery compartment.**

Verify that red dot is present by switching the power on and increasing the brightness if necessary (see next section).

## SWITCHING POWER ON/OFF

To turn the sight's power on and off:

**(Enrage/Incinerate):** Activate the illuminated dot by turning the rheostat knob to any numbered position. To switch off the sight, select a dot mark between any two numbers.

**(TRS-26/First Strike 2.0):** Press and release the "Up" arrow button to power on the sight. To switch power off, press and hold the "Down" arrow button.

## ADJUSTING DOT BRIGHTNESS

To adjust the brightness level of the dot reticle:

**(Enrage/Incinerate):** Turn the rheostat knob clockwise to increase brightness and counterclockwise to decrease brightness. With the "1" lined up with the index mark, the dot will be the dimmest, and with a setting of "8", the dot is at the brightest illumination level.

**(TRS-26/First Strike 2.0):** Press and release the "Up" arrow button to increase brightness. Press and release the "Down" arrow button to decrease brightness.

## SIGHTING IN/ZEROING YOUR AR OPTICS® SIGHT



**WARNING! : SINCE THIS PROCEDURE INVOLVES LIVE FIRE, IT SHOULD BE DONE AT AN APPROVED RANGE OR OTHER SAFE AREA. CHECK BORE FOR OBSTRUCTIONS. AN OBSTRUCTED BORE MAY CAUSE INJURY TO YOU AND OTHERS NEAR BY. EYE & EAR PROTECTION IS RECOMMENDED.**

### ENRAGE/INCINERATE/TRS-26

1. With the sight mounted, rest the gun on a solid support. Switch on the sight's power and adjust brightness as needed until dot is easily visible.
2. Remove the windage and elevation adjustment caps.
3. Sight along the barrel and aim at a target 50 to 100 yards away. Sight through your AR Optics Red Dot and turn the windage and/or elevation adjustments by hand to align the center dot with the target as seen along the barrel. Each click of adjustment moves the point of impact by the amount written on the adjustments. Once the scope is zeroed, replace the adjustment caps.

### FIRST STRIKE 2.0

1. With the sight mounted, rest the gun on a solid support. Switch on the sight's power and adjust brightness as needed until dot is easily visible.
2. Start by sighting along the barrel and aim at a target 25 to 50 yards away. View through your First Strike sight and gently rotate the windage and/or elevation adjustments, using the supplied tool to align the red dot with the target as seen along the barrel.
3. You should then fire a test shot to determine the point of impact of your weapon. If you are not hitting your aiming point (the center of the target) make an adjustment by turning the windage or elevation screw(s) in the direction you want the bullet to move. The chart on the right will aid you in determining the proper amount of adjustment necessary to change the point of impact, depending upon the range at which you are shooting.

**Point of Impact Chart (First Strike 2.0)**

Distance	1 Full Revolution of Adjustment Screw
25 yds	7.5 inches
50 yds	15 inches
100 yds	30 inches
Distance	1 Hash Mark of Adjustment Screw
25 yds	.75 inches
50 yds	1.5 inches
100 yds	3 inches

### OPERATION UNDER EXTREME CONDITIONS

- **Extreme heat (moist or dry):** no special procedures required. Avoid prolonged exposure if possible.
- **Extreme cold:** extreme low temperature may shorten battery life. It could also make the rotary dial (brightness control) on the Incinerate/Enrage a little harder to turn than at normal temperatures.
- **Salt air:** no special procedures required.
- **Sea spray, water, mud and snow:** ensure that battery cap and the two adjustment caps (if present) are tightened before exposing the sight to sea spray, mud, snow or before immersing the sight in water. Hand tighten only. Keep lens covers closed when sight is not being used. Clean lenses with lens paper/cloth (see caution note below) and wipe the sight dry as soon as possible after exposure to water, sea spray, mud or snow.
- **Dust storms and sand storms:** keep lens covers closed when sight is not being used.

**CAUTION:** The lenses shall never be cleaned with fingers but with lens paper/cloth, to avoid scratching the glass. Use a soft brush or "canned air" to remove any loose debris (sand, grass, etc.) prior to using the lens paper or soft clean cloth.

### TROUBLE SHOOTING

**Problem: Red Dot Does Not Appear**

**Possible Causes/Solutions:**

- **Discharged battery:** Replace battery with a new CR2032 lithium cell.
- **Battery installed incorrectly:** Remove and reinstall battery, referring to the Parts Guide battery compartment image.
- **Battery not making good contact:** Clean contact surfaces and reinstall battery.
- **Defective Rotary Switch:** Contact Bushnell customer service.

**Problem: Impossible To Zero**

**Possible Causes/Solutions:**

- **Adjustment screw is at its limit:** Check alignment of mount to barrel.
- **Impact point is moving:** Check mount and weapon rail (or carry handle) stability.



Products manufactured on or after April 2017 are covered by the Bushnell Ironclad Warranty. The Ironclad Warranty is a full lifetime warranty that covers the lifetime of this Product. Each Product has a defined lifetime; lifetimes can range from 1 to 30 years. This Product's lifetime can be found at the website listed below and/or on the Bushnell webpage specific to this Product.

We warrant that this Product is free from defects in materials and workmanship and will meet all represented performance standards for the lifetime of this Product. If this Product isn't working properly due to a covered defect, we will, at our option, either repair or replace it and ship it back to you at no charge. This warranty is fully transferable and does not require a receipt, warranty card, or product registration. This warranty does not cover the following: electronic components; batteries; cosmetic damage; damage caused by failing to properly maintain the product; loss; theft; damage as a result of unauthorized repair, modification, or disassembly; intentional damage, misuse, or abuse; and ordinary wear and tear. This Warranty will be void if the date stamp or other serialization codes have been removed from the Product.

To view the full warranty and find details on how to request service under the warranty, go to our website at [www.bushnell.com/warranty](http://www.bushnell.com/warranty). Alternatively, you can request a copy of the warranty by calling us at 1-800-423-3537 or writing to us at one of the following addresses:

IN U.S.A. Send To:

Bushnell Outdoor Products  
Attn.: Repairs  
9200 Cody  
Overland Park, Kansas 66214

IN CANADA Send To:

Bushnell Outdoor Products  
Attn.: Repairs  
140 Great Gulf Drive, Unit B  
Vaughan, Ontario L4K 5W1

For products purchased outside the United States or Canada please contact your local dealer for applicable warranty information.

This warranty gives you specific legal rights.  
You may have other rights which vary from country to country.

©2018 Bushnell Outdoor Products

## FCC Statement

This device complies with part 15 of the FCC Rules. Operation is subject to the following two conditions: (1) This device may not cause harmful interference, and (2) this device must accept any interference received, including interference that may cause undesired operation.

This equipment has been tested and found to comply with the limits for a Class B digital device, pursuant to Part 15 of the FCC Rules. These limits are designed to provide reasonable protection against harmful interference in a residential installation.

This equipment generates, uses and can radiate radio frequency energy and, if not installed and used in accordance with the instructions, may cause harmful interference to radio communications. However, there is no guarantee that interference will not occur in a particular installation.

If this equipment does cause harmful interference to radio or television reception, which can be determined by turning the equipment off and on, the user is encouraged to try to correct the interference by one or more of the following measures:

- Reorient or relocate the receiving antenna.
- Increase the separation between the equipment and receiver.
- Connect the equipment into an outlet on a circuit different from that to which the receiver is connected.
- Consult the dealer or an experienced radio/TV technician for help.

Shielded interface cable must be used with the equipment in order to comply with the limits for a digital device pursuant to Subpart B of Part 15 of FCC Rules. Specifications and designs are subject to change without any notice or obligation on the part of the manufacturer.



## Industry Canada Statement :

This device complies with ISED's license-exempt RSSs. Operation is subject to the following two conditions: (1) This device may not cause harmful interference, and (2) this device must accept any interference received, including interference that may cause undesired operation.

Le présent appareil est conforme aux CNR d'ISED applicables aux appareils radio exempts de licence. L'exploitation est autorisée aux deux conditions suivantes: (1) le dispositif ne doit pas produire de brouillage préjudiciable, et (2) ce dispositif doit accepter tout brouillage reçu, y compris un brouillage susceptible de provoquer un fonctionnement indésirable.

## Radiation Exposure Statement / Déclaration d'exposition aux radiations :

This device complies with the Industry Canada portable RF exposure limit set forth for an uncontrolled environment and is safe for the intended operation as described in this manual. Further RF exposure reduction can be achieved if the product can be kept as far as possible from the user's body or if the device is set to a lower output power if such function is available.

Le produit est conforme aux limites d'exposition pour les appareils portables RF pour les Etats-Unis et le Canada établies pour un environnement non contrôlé.

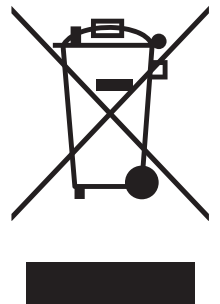
Le produit est sûr pour un fonctionnement tel que décrit dans ce manuel. La réduction aux expositions RF peut être augmentée si l'appareil peut être conservé aussi loin que possible du corps de l'utilisateur ou que le dispositif est réglé sur la puissance de sortie la plus faible si une telle fonction est disponible.

## Disposal of Electric and Electronic Equipment (Applicable in the EU and other European countries with separate collection systems)

This equipment contains electric and/or electronic parts and must therefore not be disposed of as normal household waste. Instead, it should be disposed at the respective collection points for recycling provided by the communities. For you, this is free of charge.

If the equipment contains exchangeable (rechargeable) batteries, these too must be removed before and, if necessary, in turn be disposed of according to the relevant regulations (see also the respective comments in this unit's instructions).

Further information about the subject is available at your community administration, your local waste collection company, or in the store where you purchased this equipment.



 **WARNING: This product uses a Lithium based battery. Lithium batteries can overheat and cause damage if physically abused. Do not use batteries that are damaged or show signs of physical wear.**

Félicitations pour l'acquisition de votre viseur point rouge AR Optics® de Bushnell® (viseur optique éclairé).

Ce manuel vous aidera à optimiser votre expérience visuelle en vous expliquant comment prendre soin du viseur et en utilisant les fonctionnalités. Lisez attentivement les instructions avant d'utiliser votre viseur.



**AVERTISSEMENT ! : NE PAS REGARDER EN DIRECTION DU SOLEIL À TRAVERS LES LENTILLES AU RISQUE D'ENDOMMAGER L'ŒIL OU MÊME D'ENTRAÎNER UNE CÉCITÉ.**

### À PROPOS DES VISEURS TACTIQUES POINT ROUGE AR OPTICS® DE BUSHNELL®

Tous les modèles AR Optics décrits dans ce manuel sont des viseurs de pointe, conçus spécialement pour le tir de compétition, ainsi que le tir sur cible ou de loisir avec des armes de poing, des fusils, des carabines et des arcs, ainsi que pour la chasse à plus courtes distances.

Le réticule éclairé du viseur a été pré-focalisé afin que le point de repère apparaisse toujours net contre la cible. En comparaison, les viseurs ouverts vous obligent à vous focaliser en même temps sur le viseur arrière, le viseur avant et la cible et mettent en évidence la cible.

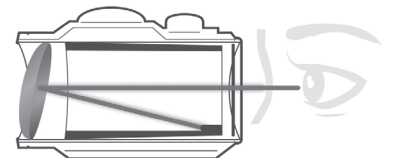
Les viseurs point rouge AR Optics peuvent être utilisés facilement les deux yeux ouverts (le dégagement oculaire est illimité), augmentant la conscience du tireur sur les environs et permettant une acquisition plus rapide de la cible en raison de la conception sans parallaxe, car le point suit le mouvement de l'œil de l'utilisateur tout en restant fixé sur la cible. Conçu pour une plus grande vitesse d'acquisition et une plus grande précision, ces viseurs permettent de vous concentrer sur la cible plutôt que sur le réticule, améliorant ainsi votre précision. Voici une présentation plus détaillée de chaque modèle de la gamme AR Optics de viseurs point rouge :

- Le **ENRAGE (AR751305)** est robuste et conçu pour durer. Les optiques multi-couches fournissent des images claires et nettes pour une acquisition aisée de la cible. Le point 2 MOA dispose de huit réglages de luminosité, avec un arrêt automatique entre chaque réglage. La monture grande hauteur inclus vous offre tout ce dont vous avez besoin pour une utilisation immédiate. La durée de vie de la pile est d'environ 7 000 heures à un réglage de la luminosité de « 4 ».
- Le **INCINERATE (AR750132)** fait de l'acquisition de la cible une seconde nature. Le réticule à point circulaire comporte un cercle 25 MOA qui attire naturellement l'œil sur le point central 2-MOA, le rendant idéal pour les fusils tactiques et les fusils de chasse. Il inclut une monture grande hauteur, et huit réglages de luminosité avec un arrêt automatique entre chaque. Le viseur arrière sur l'Incinerate est compatible avec les viseurs en queue d'aronde Glock®. La durée de vie de la pile est d'environ 6 500 heures à un réglage de la luminosité de « 4 ».
- Le **TRS-26 (AR71XRD)** va au-delà de son prédécesseur historique avec des améliorations dans plusieurs domaines clés. Le TRS-26 est alimenté par une pile longue durée qui définit la norme de l'industrie avec plus de 30 000 heures de durée de vie (à un niveau de luminosité de « 6 »). Il fournit un point 3 MOA plus clair et net avec 11 niveaux de luminosité et un fonctionnement par bouton-poussoir dans un boîtier compact. L'AR Optics TRS-26 de Bushnell est la norme pour les points rouge multi-usages.
- Le **FIRST STRIKE 2.0 (AR71XRS)** est deux fois le point rouge que son frère aîné était. Le First Strike 2.0 est tout aussi polyvalent : il comprend une monture grande hauteur et est à l'aise aussi bien sur les fusils de chasse que sur les MSR à dessus plat. Il offre une durée de vie de la pile leader de l'industrie avec plus de 110 000 heures (à un niveau de luminosité général de « 5 »), avec un retrait de la pile de son compartiment sans outil et un point 4 MOA plus lumineux avec 10 réglages de luminosité. L'AR Optics First Strike 2.0 de Bushnell améliore un classique.

**Remarque :** la durée de vie de la pile indiquée varie en fonction des réglages de luminosité utilisés (*les estimations de durée de vie indiquées se basent sur un réglage de luminosité moyen standard*), de la fraîcheur et de la qualité de la pile, de la température ambiante ainsi que d'autres facteurs.

### À propos du positionnement de la lentille point rouge

Tous les viseurs point rouge dispose d'un objectif de forme sphérique à l'avant de l'unité. Cependant, au contraire d'une lunette conventionnelle avec toutes les lentilles montées perpendiculairement (à un angle de 90 degrés) par rapport à l'axe du tube, l'objectif dans un viseur point rouge est positionné hors de l'axe et semble incliné lorsque l'on regarde le viseur (*droite*). Cet angle de la lentille avant permet à la lumière générée par la source lumineuse LED alimentée par la pile à l'intérieur de l'unité d'être réfléchi dans le viseur. La lumière réfléchi forme le « point » ou référence de ciblage que le tireur voit lorsqu'un viseur point rouge est en marche. Cette « courbure » volontaire de la lumière est ce qui rend les viseurs point rouge actuels aussi populaires et faciles à utiliser.



### MONTAGE DE VOTRE VISEUR AR OPTICS®



**AVERTISSEMENT ! : AVANT DE MONTER LE VISEUR OU DE REMPLACER SA PILE, OU DE LE RETIRER OU D'EFFECTUER L'ENTRETIEN SUR LE VISEUR, ASSUREZ-VOUS QUE L'ARME EST OUVERTE, QUE LE MAGASIN OU LE CHARGEUR EST RETIRÉ ET QUE LA CHAMBRE EST VIDE. N'EFFECTUEZ AUCUNE OPÉRATION AVANT DE VOUS ASSURER QUE L'ARME EST VIDE ET SÛRE.**

Votre viseur AR Optics comprend un bloc surélévateur (Enrage, Incinerate, First Strike 2.0) ou une monture grande hauteur (TRS-26) que convient au rails de style Picatinny ou Weaver.

La base ou les bases que vous utilisez avec votre viseur doivent être fabriquées spécifiquement pour votre pistolet, votre carabine ou votre fusil et créer une plateforme de montage horizontale et verticale uniforme. Pour votre sécurité, assurez-vous de les installer convenablement et de les fixer fermement selon les instructions du fabricant. Étant donné qu'il n'y a pas de dégagement oculaire prévu pour votre viseur

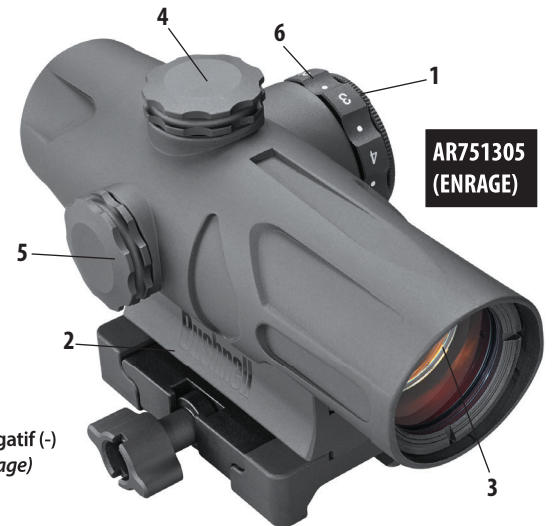


AR Optics, un espace d'au moins 7 cm doit être observé entre la lentille et l'œil lorsque vous êtes en position de tir. Notez que les armes à feu avec crosses à longueur de tir (« LOP ») ajustable peuvent affecter ou limiter la valeur de dégagement oculaire utilisable.

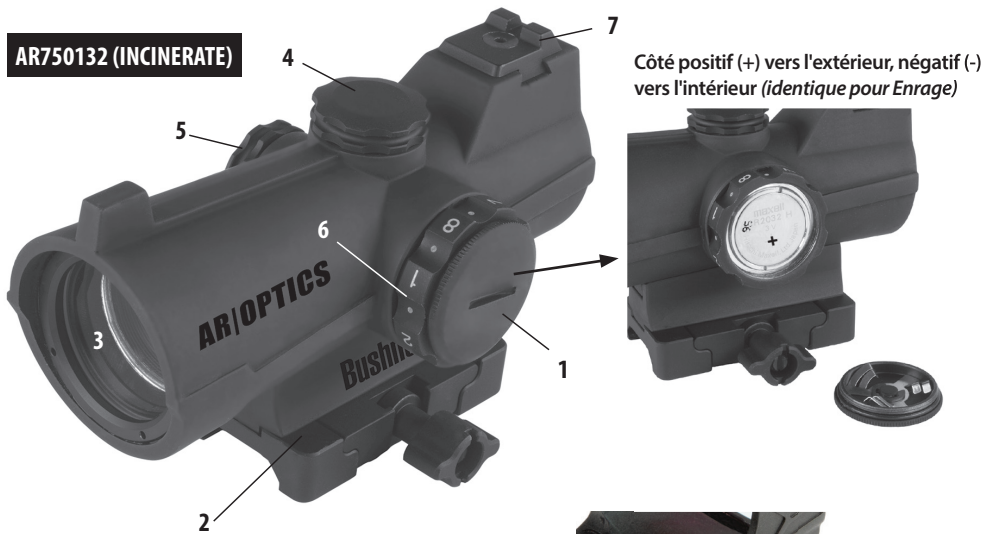
Positionnez la monture sur la ou les bases pour l'aligner avec les rainures transversales. Ajustez la monture sur la base jusqu'à ce que les boulons croisés se placent dans la rainure. Chargez la monture sur l'avant afin que le poussoir de sûreté s'enclenche dans la rainure avant que le jeu soit supprimé. Tout en maintenant l'unité en position, serrez solidement l'écrou de blocage ou la plaque de montage. Les remarques suivantes (page suivante) fournissent des détails de montage spécifiques pour les différents modèles de viseurs point rouge d'AR Optics.

## GUIDE DES PIÈCES

1. Compartiment à pile
2. Support (avec insert grande hauteur sur Incinerate, Enrage. La grande hauteur est incluse, mais pas pré-installée sur le First Strike).
3. Objectif
4. Réglage d'élévation (retirer le cache si nécessaire)
5. Réglage de dérive (retirer le cache si nécessaire)
6. Commande de la luminosité (bouton du rhéostat ou boutons haut/bas)
7. Support de viseur arrière pour queue d'aronde Glock® (AR750132 uniquement)
8. Petits boulons hexagonaux (AR71XRS uniquement)
9. LED (AR71XRS uniquement)



AR750132 (INCINERATE)

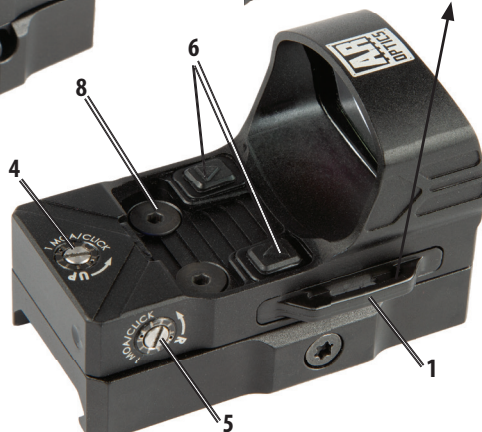


Côté positif (+) vers le haut, négatif (-) vers le bas



Côté négatif (-) vers le haut, positif (+) vers le bas

AR71XRS (FIRST STRIKE 2.0)



AR71XRD (TRS-26)





**AVERTISSEMENT : SI LE VISEUR N'EST PAS MONTÉ SUFFISAMMENT EN AVANT, SON MOUVEMENT VERS L'ARRIÈRE PEUT BLESSER LE TIREUR AU MOMENT DU REcul DE L'ARME.**

## DÉTAILS DE MONTAGE PAR MODÈLE

### **Enrage/Incinerate**

1. Positionnez la monture sur le rail de base ou les bases pour les aligner avec les rainures transversales.
2. Ajustez la monture sur la base jusqu'à ce que les boulons croisés se placent dans la rainure.
3. Serrez l'écrou de verrouillage fermement à l'aide d'une pièce de monnaie ou d'un tournevis. **ATTENTION : ne serrez pas trop.**

### **TRS-26**

1. Desserrez l'arbre au moyen de l'outil polyvalent fourni afin que la barre de verrouillage puisse se serrer autour du rail Picatinny/Weaver.
2. Installez le viseur sur le rail de l'arme en serrant l'arbre. Vérifiez d'abord que le viseur est positionné correctement et que l'arbre s'insère dans la rainure du rail Picatinny/Weaver. Pour vérifier que l'arbre est solidement fixé, vissez l'arbre dans le sens horaire jusqu'à ce que vous ressentiez une légère résistance. **ATTENTION : ne serrez pas trop.**
3. Enfin, vérifiez que l'arbre et la barre de verrouillage sont fermement serrés autour du rail de base.

### **First Strike 2.0**

1. Toute base de type Weaver ou Picatinny convient au montage du First Strike 2.0. Assurez-vous que la base que vous utilisez est fabriquée spécifiquement pour votre arme de poing, votre fusil ou votre fusil de chasse. Pour votre sécurité, assurez-vous d'installer la base convenablement et de la fixer fermement conformément aux instructions du fabricant.
2. Desserrez l'écrou hexagonal sur le support du viseur à l'aide de l'outil fourni. Placez la monture sur votre rail afin que le poussoir de sûreté s'engage dans une fente. Serrez le boulon hexagonal. **ATTENTION : ne serrez pas trop.**

## ACTIVATION DE LA PILE

Avant de mettre sous tension votre viseur pour la première fois, vous devrez ouvrir le compartiment de la pile et retirer les autocollants de protection ou le disque en plastique de la pile. Consultez le Guide des pièces pour l'emplacement du compartiment de la pile sur votre modèle.

## REPLACEMENT DE LA PILE

Si votre réticule s'assombrit ou ne s'allume plus, remplacez la pile. Pour installer une pile neuve, dévissez le couvercle rond du compartiment de la pile (*Enrage/Incinerate/TRS-26*) à l'aide d'une pièce, ou sortez le plateau de la pile\* (*First Strike 2.0*). Insérez une pile neuve au lithium CR2032, en tenant compte de la position des côtés positif et négatif, qui varie en fonction du modèle (*voir Guide des pièces*). Remettez le couvercle de la pile en place.

*\*(si nécessaire, insérez un petit tournevis dans la fente ouverte du plateau de pile du First Strike pour le soulever légèrement)*

**ATTENTION : lors de la remise en place du couvercle de la pile, assurez-vous que le joint torique est présent et non endommagé. Le non-respect de ces instructions peut provoquer une fuite dans le compartiment de la pile.**

Vérifier que le point rouge est présent en activant l'alimentation et en augmentant la luminosité si nécessaire (voir section suivante).

## MISE EN MARCHÉ/ARRÊT

Pour mettre en marche et arrêter le viseur :

**(Enrage/Incinerate)** : activez le point lumineux en tournant le bouton du rhéostat sur une position numérotée. Pour désactiver le viseur, sélectionnez un point entre deux chiffres.

**(TRS-26/First Strike 2.0)** : enfoncez, puis relâchez le bouton fléché « Haut » pour allumer le viseur. Pour l'éteindre, enfoncez et maintenez le bouton fléché « Bas ».

## RÉGLAGE DE LA LUMINOSITÉ

Pour régler le niveau de luminosité du réticule à point :

**(Enrage/Incinerate)** : tournez le bouton du rhéostat dans le sens horaire pour augmenter la luminosité et dans le sens anti-horaire pour la réduire. Lorsque le « 1 » est aligné avec le repère, la luminosité du point sera minimale et en position « 8 », le point est au niveau de luminosité le plus élevé.

**(TRS-26/First Strike 2.0)** : enfoncez, puis relâchez le bouton fléché « Haut » pour augmenter la luminosité. Pour diminuer la luminosité, enfoncez, puis relâchez le bouton fléché « Bas ».



**AVERTISSEMENT ! DANS LA MESURE OÙ CETTE PROCÉDURE IMPLIQUE LE TIR, ELLE DOIT ÊTRE EFFECTUÉE À UNE DISTANCE AUTORISÉE OU DANS TOUT AUTRE ESPACE SÉCURISÉ. VÉRIFIEZ QUE L'ALÉSAGE N'EST PAS OBSTRUÉ. UN ALÉSAGE OBSTRUÉ PEUT VOUS BLESSER OU BLESSER D'AUTRES PERSONNES À PROXIMITÉ. UNE PROTECTION DES YEUX ET DES OREILLES EST RECOMMANDÉE.**

### ENRAGE/INCINERATE/TRS-26

1. Une fois le viseur monté, posez l'arme sur un support solide. Mettez le viseur en marche et réglez la luminosité si nécessaire jusqu'à ce que le point soit facilement visible.
2. Retirez les caches de réglage de dérive et d'élévation.
3. Visez au dessus du canon et à une distance de 50 à 100 mètres. Visez à travers votre viseur point rouge AR Optics et réglez manuellement la dérive et/ou l'élévation pour aligner le point central avec la cible, comme indiqué le long du canon. Chaque clic d'ajustement déplace le point d'impact du nombre inscrit sur les réglages. Une fois le viseur à zéro, remettez le cache d'ajustement en place.

### FIRST STRIKE 2.0

1. Une fois le viseur monté, posez l'arme sur un support solide. Mettez le viseur en marche et réglez la luminosité si nécessaire jusqu'à ce que le point soit facilement visible.
2. Commencez par viser au dessus du canon et à une distance de 25 à 50 mètres. Visez à travers votre viseur First Strike et tournez doucement les réglages la dérive et/ou l'élévation à l'aide de l'outil fourni pour aligner le point rouge avec la cible, comme indiqué le long du canon.
3. Faites ensuite un tir d'essai pour déterminer le point d'impact de votre arme. Si vous ne touchez pas le point visé (le centre de la cible), ajustez en tournant les vis de dérive ou d'élévation dans le sens de la correction souhaitée. Le tableau de droite vous aidera à déterminer l'ajustement nécessaire pour modifier le point d'impact en fonction de votre distance à la cible.

**Tableau de modification du point d'impact (First Strike 2.0)**

Distance	1 tour complet de la vis de réglage
25 yards (22,86 m)	7,5 pouces (19 cm)
50 yards (45,72 m)	15 pouces (39 cm)
100 yards (91,44 m)	30 pouces (76 cm)
Distance	1 encoche sur la vis de réglage
25 yards (22,86 m)	0,75 pouce (2 cm)
50 yards (45,72 m)	1,5 pouce (4 cm)
100 yards (91,44 m)	3 pouces (8 cm)

### UTILISATION DANS DES CONDITIONS EXTRÊMES

- **Chaleur extrême (humide ou sèche)** : aucune procédure spéciale requise. Si possible, évitez une exposition prolongée.
- **Froid extrême** : des températures très froides peuvent réduire la durée de vie de la pile. Cela peut également rendre le bouton rotatif (commande de luminosité) sur l'Incinerate/Enrage un peu plus difficile à tourner qu'à des températures normales.
- **Air salé** : aucune procédure spéciale requise.
- **Projection d'eau de mer, eau, boue et neige** : vérifiez que le couvercle de la batterie et les deux capuchons de réglage (le cas échéant) sont serrés avant d'exposer le viseur à des projections d'eau de mer, à de la boue, de la neige ou avant d'immerger le viseur dans de l'eau. Serrez à la main uniquement. Laissez les caches des lentilles fermés si le viseur n'est pas utilisé. Nettoyez les lentilles avec du papier/un chiffon pour lentille (voir la remarque Attention ci-dessous) et essuyez le viseur dès que possible après exposition à l'eau, à des projections d'eau de mer, de la boue ou de la neige.
- **Tempêtes de poussière et de sable** : laissez les caches des lentilles fermés lorsque le viseur n'est pas utilisé.

**ATTENTION** : les lentilles ne doivent jamais être nettoyées avec les doigts mais avec du papier/un chiffon pour lentilles pour éviter de rayer le verre.

Utilisez une brosse douce ou de « l'air comprimé » pour retirer les débris (sable, herbe, etc.) avant d'utiliser le papier pour lentille ou un chiffon de nettoyage doux.

### DÉPANNAGE

**Problème : le point rouge n'apparaît pas**

**Causes possibles/Solutions :**

- **Pile déchargée** : remplacez la pile par une nouvelle pile au lithium CR2032.
- **Pile installée de manière incorrecte** : retirez la pile et remettez-la en place, en vous reportant à l'image du compartiment de la pile figurant dans le Guide des pièces.
- **Contact de la pile incorrect** : nettoyez les surfaces de contact et réinstallez la pile.
- **Bouton rotatif défectueux** : contactez le service après-vente de Bushnell.

**Problème : mise au point impossible**

**Causes possibles/Solutions :**

- **La vis de réglage est à sa limite** : vérifiez l'alignement de la monture par rapport au canon.
- **Le point d'impact bouge** : vérifiez la stabilité de la monture et du rail de l'arme (ou de la poignée de transport).



Les produits fabriqués à partir d'avril 2017 sont couverts par la garantie Bushnell Ironclad. La garantie Ironclad est une garantie à vie totale, qui couvre l'ensemble de la durée de vie du produit. Chacun de nos produits dispose d'une durée de vie définie, comprise entre 1 et 30 ans. La durée de vie de ce produit est consultable à l'adresse ci-dessous ou sur la page spécifique à ce produit sur le site Bushnell.

Nous garantissons que ce produit est exempt de défauts de fabrication et de matériaux défectueux, et qu'il répond à toutes les normes de performances définies pour la durée de vie de ce produit. Si ce produit ne fonctionne pas comme il le devrait en raison d'un défaut couvert par cette garantie, le produit sera remplacé ou réparé gratuitement (à notre discrétion), et vous sera réexpédié sans frais. Cette garantie est entièrement transférable et ne nécessite aucun reçu, carte de garantie ou enregistrement du produit. Cette garantie ne couvre aucun des éléments suivants : composants électroniques ; piles et batteries ; dégâts esthétiques ; dommages causés par un défaut d'entretien du produit ; perte ; vol ; dommages résultant d'une réparation, d'une modification ou d'un démontage non autorisé ; dommages, utilisation mauvaise et/ou abusive intentionnelle ; usure normale du produit ou de ses composants. Si la date de fabrication ou tout autre numéro de série sont retirés du produit, la garantie sera annulée.

Pour consulter la garantie complète ou trouver des informations sur les services de garantie à votre disposition, visitez notre site Web à l'adresse [www.bushnell.com/warranty](http://www.bushnell.com/warranty). Vous pouvez également nous demander une copie de la garantie en nous appelant au 1-800-423-3537, ou en nous écrivant à l'une des adresses suivantes :

Aux U.S.A. Envoyé à :  
Bushnell Outdoor Products  
Attn.: Repairs  
9200 Cody  
Overland Park, Kansas 66214

AU CANADA Envoyé à :  
Bushnell Outdoor Products  
Attn.: Repairs  
140 Great Gulf Drive, Unit B  
Vaughan, Ontario L4K 5W1

Pour les produits achetés à l'extérieur des Etats-Unis ou du Canada, veuillez contacter votre revendeur local pour obtenir les conditions de garantit applicables.

Cette garantie vous confère des droits légaux spécifiques.  
Vous pouvez avoir d'autres droits qui varient d'un pays à l'autre.

©2018 Bushnell Outdoor Products

## NOTE FCC

Cet équipement a été testé et s'est avéré conforme aux limites du dispositif numérique de classe B, en vertu de la partie 15 des règles de la FCC. Ces limites sont conçues afin de fournir une protection raisonnable contre les interférences dans une installation résidentielle. Cet équipement génère, utilise et peut émettre des radiofréquences et, s'il n'est pas installé et utilisé selon les instructions, peut causer des interférences nocives aux communications radio.

Toutefois, il n'y a pas de garantie que les interférences ne se produiront pas dans une installation particulière. Si cet équipement provoque des interférences nocives à la réception radio ou télévisuelle, qui peuvent être déterminées en éteignant puis rallumant l'équipement, nous encourageons l'utilisateur à essayer de corriger l'interférence par l'une ou plusieurs des mesures suivantes :

- Réorienter ou repositionner l'antenne de réception.
- Augmenter la distance séparant l'appareil du récepteur.
- Connecter l'équipement à une prise appartenant à un circuit différent de celui sur lequel le récepteur est connecté.
- Contacter le revendeur ou faire appel à un technicien spécialisé en radio/télévision pour obtenir de l'aide.

Afin de se conformer aux limites du dispositif numérique selon la partie 15, section B, des règles de la FCC, des câbles blindés doivent être utilisés avec cet équipement.

Les caractéristiques et conceptions sont sujettes à des changements sans préavis ni obligation de la part du fabricant



## SÉCURITÉ FDA

Produit laser de classe 1 conforme à la norme CEI 60825-1:2007.

Conforme aux normes 21 CFR 1040.10 et 1040.11 pour les produits laser, sauf les exceptions citées dans le document « Laser Notice No. 50 », daté du 24 juin 2007.

Attention : il n'existe pas de contrôles, ajustements ou procédures destinés à l'utilisateur. L'exécution de procédures autres que celles spécifiées ici peut entraîner l'exposition à une lumière laser invisible.

### Industry Canada Statement :

This device complies withISED's licence-exempt RSSs. Operation is subject to the following two conditions: (1) This device may not cause harmful interference, and (2) this device must accept any interference received, including interference that may cause undesired operation.

Le présent appareil est conforme aux CNR d'ISED applicables aux appareils radio exempts de licence. L'exploitation est autorisée aux deux conditions suivantes: (1) le dispositif ne doit pas produire de brouillage préjudiciable, et (2) ce dispositif doit accepter tout brouillage reçu, y compris un brouillage susceptible de provoquer un fonctionnement indésirable.

### Radiation Exposure Statement / Déclaration d'exposition aux radiations :

This device complies with the Industry Canada portable RF exposure limit set forth for an uncontrolled environment and is safe for the intended operation as described in this manual. Further RF exposure reduction can be achieved if the product can be kept as far as possible from the user's body or if the device is set to a lower output power if such function is available.

Le produit est conforme aux limites d'exposition pour les appareils portables RF pour les Etats-Unis et le Canada établies pour un environnement non contrôlé.

Le produit est sûr pour un fonctionnement tel que décrit dans ce manuel. La réduction aux expositions RF peut être augmentée si l'appareil peut être conservé aussi loin que possible du corps de l'utilisateur ou que le dispositif est réglé sur la puissance de sortie la plus faible si une telle fonction est disponible.

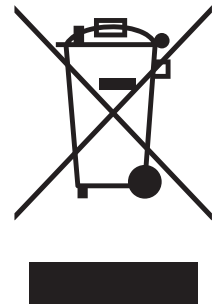
### Traitement des déchets d'équipements électriques et électroniques

*(En vigueur dans l'Union européenne et autres pays européens ayant des systèmes de collecte des déchets séparés)*

Cet équipement contient des composants électriques et/ou électroniques et par conséquent ne doit pas être éliminé en fin de vie avec les autres déchets ménagers. Vous devez au contraire vous débarrasser de ce produit afin qu'il soit recyclé aux points de collecte respectifs fournis par les communautés locales. Pour vous, ceci est sans frais.

Si l'équipement contient des piles amovibles (rechargeables), celles-ci doivent également être retirées de l'équipement et, si nécessaire, être éliminées à leur tour conformément aux règlements en vigueur (voir également les commentaires respectifs dans la notice d'utilisation de ce produit).

De plus amples renseignements à ce sujet sont disponibles auprès de votre mairie, votre compagnie de ramassage d'ordures locale, ou dans le magasin où vous avez acheté cet équipement.



**AVERTISSEMENT : Ce produit utilise une batterie au lithium. Les batteries au lithium peuvent surchauffer et causer des dommages si elles sont maltraitées physiquement. N'utilisez pas de piles endommagées ou présentant des signes d'usure physique.**

Gracias por comprar la nueva mira de punto rojo AR Optics® de Bushnell® (mira óptica iluminada).

Este manual le ayudará a optimizar su experiencia de visión explicándole cómo utilizar las características y controles de la mira, así como los cuidados que precisa. Lea atentamente las instrucciones antes de usarla.



**¡ADVERTENCIA!: NO MIRE AL SOL A TRAVÉS DE LA MIRA YA QUE PODRÍA SUFRIR UNA LESIÓN OCULAR PERMANENTE O INCLUSO QUEDAR CIEGO.**

## ACERCA DE LA MIRA TÁCTICA DE PUNTO ROJO AR OPTICS® DE BUSHNELL®

Todos los modelos de AR Optics descritos en este manual son miras de última generación, concebidas especialmente para el tiro de competición y tiro al blanco o informal con pistolas, rifles, escopetas y arcos, así como para la caza a distancias más cortas.

La retícula iluminada viene enfocada de fábrica para que el punto de mira aparezca siempre a foco en el objetivo. En comparación, las miras abiertas le obligan a centrarse en la vista trasera, la delantera y el objetivo al mismo tiempo y enfocan el blanco.

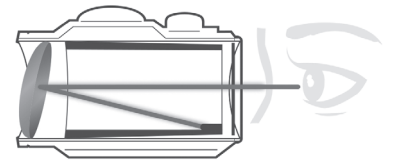
Las miras de punto rojo AR Optics Red se pueden utilizar fácilmente con los dos ojos abiertos (la distancia ocular es ilimitada), lo que aumenta la conciencia del tirador del entorno y proporciona una adquisición más rápida del objetivo gracias al diseño sin paralaje, ya que el punto sigue el movimiento del ojo del usuario mientras permanece fijo en el objetivo. Diseñada para obtener mayor velocidad y precisión, estas miras le permiten concentrarse en el objetivo en lugar de en la propia retícula, con lo que se incrementa, precisamente, la precisión. Aquí se muestra una vista más detallada de cada modelo en la línea de miras de punto rojo de AR Optics:

- La **ENRAGE (AR751305)** es resistente y duradera. La óptica con revestimiento multicapa ofrece imágenes nítidas y brillantes que facilita la captura de objetivos. El punto 2 MOA tiene ocho ajustes de brillo, con un ajuste de apagado entre cada uno. La montura elevada incluida le brinda todo lo que necesita, desde el primer momento. La duración de la pila es de aproximadamente 7000 horas con una configuración de brillo de "4".
- La **INCINERATE (AR750132)** hace que la captura del objetivo sea absolutamente natural. La retícula tiene un círculo de 25 arcmin alrededor del punto central, que atrae naturalmente la atención sobre el punto central de 2 arcmin, por lo que es ideal tanto para rifles tácticos como para escopetas. Lleva una montura elevada y ocho ajustes de brillo, con un ajuste de apagado entre cada uno. La mira trasera en Incinerate es compatible con las miras de cola de milano Glock®. La duración de la pila es de aproximadamente 6500 horas con una configuración de brillo de "4".
- La **TRS-26 (AR71XRD)** va más allá de su predecesora histórica con mejoras en varias áreas clave. La TRS-26 está alimentada por una pila de larga duración que establece el estándar del sector con más de 30 000 horas de duración (con un nivel de brillo de "6"). Ofrece un punto de 3 arcmin más brillante y nítido con 11 niveles de brillo y operación con botón pulsador en un paquete compacto. La AR Optics TRS-26 de Bushnell es el estándar para puntos rojos multifunción.
- La **FIRST STRIKE 2.0 (AR71XRS)** es dos veces el punto rojo que tenía su hermana mayor. La First Strike 2.0 es igual de versátil: incluye una montura de gran altura y funciona bien tanto en las escopetas como en los MSR de superficie plana. Cuenta con una pila líder del sector en cuanto a duración con más de 110 000 horas (a un nivel de brillo típico de "5"), con extracción de pila del compartimento lateral sin herramientas y un punto más brillante de 4 arcmin con 10 configuraciones de brillo. La AR Optics First Strike 2.0 de Bushnell mejora un clásico.

**Nota:** la duración de la pila como se detalla variará dependiendo de la configuración de brillo utilizada (*las estimaciones de duración indicadas se basan en un ajuste de brillo medio típico*), el estado y la calidad de la pila, la temperatura ambiente y otros factores.

## Acercas de la colocación de la lente de punto rojo

Todas las miras de punto rojo tienen una lente de objetivo en la parte delantera de la unidad que tiene forma esférica. Sin embargo, a diferencia de un visor convencional con todas las lentes montadas perpendicularmente (en un ángulo de 90 grados) con respecto al eje del tubo, la lente del objetivo en una mira de punto rojo se coloca fuera del eje de forma que parece inclinada (*derecha*). Este ángulo de la lente frontal permite que la luz generada por la fuente de luz LED alimentada por batería dentro de la unidad se refleje nuevamente en la mira. La luz reflejada se convierte en el "punto" o referencia para apuntar que ve el tirador cuando se enciende un punto rojo. Esta "desviación" de la luz diseñada es lo que hace que las miras de punto rojo actuales sean tan populares y fáciles de usar.



## MONTAJE DE LA MIRA AR OPTICS®



**¡ADVERTENCIA!: ANTES DE MONTAR LA MIRA, CAMBIARLE LA PILA O DESMONTAR O REALIZAR EL MANTENIMIENTO DE LA MIRA, CERCÍOARSE DE ABRIR LA ACCIÓN, DE EXTRAER EL CLIP O EL CARGADOR Y DE QUE NO HAYA NINGÚN PROYECTIL EN LA CÁMARA. NO INTENTE NINGUNA ACCIÓN HASTA HABER VACIADO EL ARMA Y HABER COMPROBADO QUE ES SEGURA.**

La mira AR Optics incluye un elemento elevador (Enrage, Incinerate, First Strike 2.0) o una montura elevada (TRS-26) que encaja en los rieles de estilo Picatinny o Weaver.

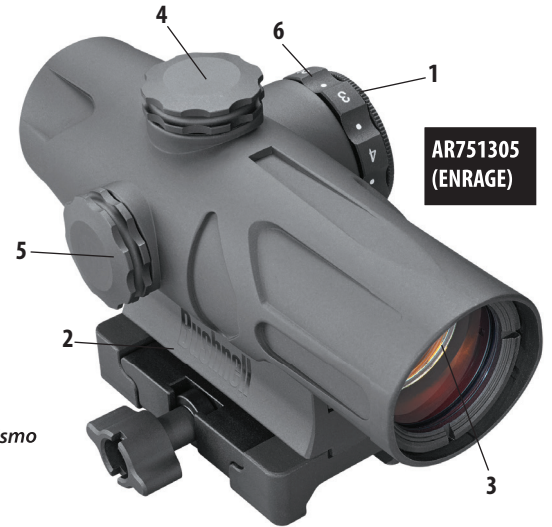
La base o bases que use con su montura deben estar fabricadas específicamente para su pistola, rifle o escopeta y deben crear una plataforma de montaje horizontal y vertical uniforme. Por su seguridad, cerciórese de que esté correctamente instalada y firmemente fijada conforme a las instrucciones del fabricante. No hay una distancia ocular determinada para la mira AR Optics; por lo tanto, debe

dejar una holgura mínima de 7,5 cm entre el visor y el ojo cuando se encuentre en posición de disparo. Tenga en cuenta que las armas de fuego con distancias ajustables entre el disparador y la culata ("LOP") pueden afectar o limitar la distancia ocular utilizable.

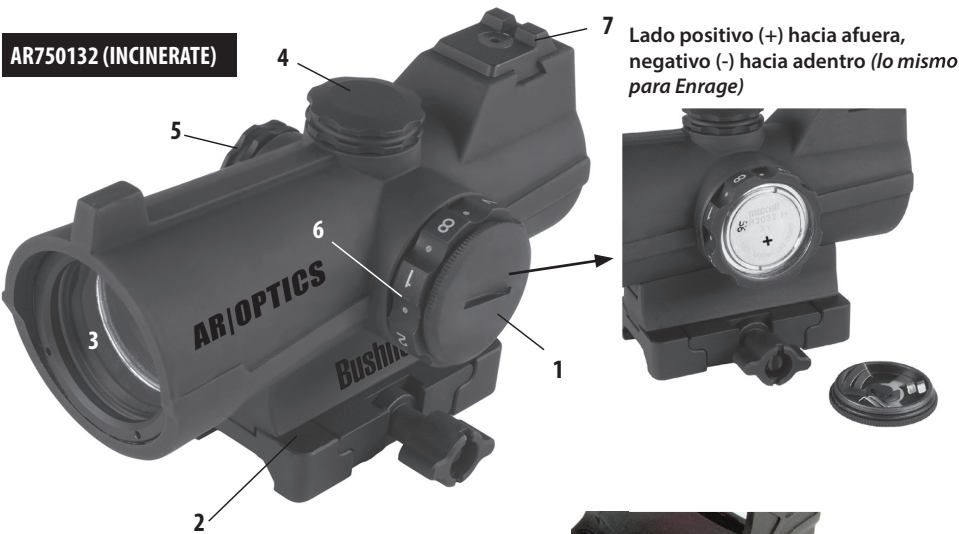
Coloque la montura en la base o bases de forma que quede alineada con los surcos perpendiculares. Enrosque la montura en la base hasta que la cruceta encaje en el surco. Cargue la montura hacia adelante, de modo que la cruceta se acople en el surco y desaparezca la holgura. Mientras sujeta la unidad en su posición, apriete firmemente la tuerca de bloqueo o la placa de montaje. Las siguientes notas (página siguiente) proporcionan algunos detalles de montaje específicos para los diversos modelos de miras de punto rojo AR Optics. </ 3>.

## GUÍA DE REPUESTOS

1. Compartimento de la batería
2. Montura (con pieza elevadora en Incinerate y Enrage. La pieza elevadora está incluida pero no viene preinstalada en la First Strike).
3. Lente
4. Ajuste de elevación (retirar la tapa en caso necesario)
5. Ajuste de deriva (retirar la tapa en caso necesario)
6. Control de brillo (dial del reóstato o botones arriba/abajo)
7. Sistema de montaje trasero opcional de la mira ajustable a cola de milano (solo AR750132)
8. Sm. Tornillos hexagonales (solo AR71XRS)
9. LED (solo AR71XRS)



AR751305  
(ENRAGE)



AR750132 (INCINERATE)

Lado positivo (+) hacia afuera,  
negativo (-) hacia adentro (lo mismo  
para Enrage)

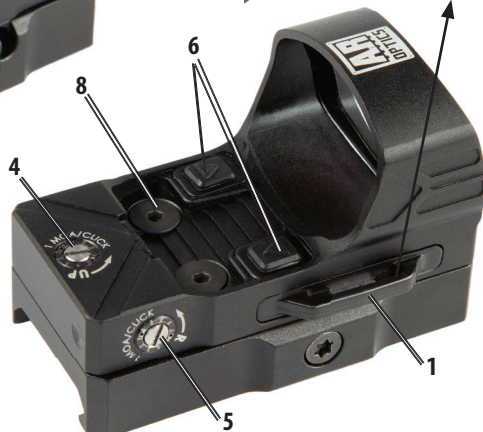
Lado positivo (+) hacia arriba,  
negativo (-) hacia abajo



Lado negativo (-) hacia arriba,  
positivo (+) hacia abajo



AR71XRS (FIRST STRIKE 2.0)



AR71XRD (TRS-26)

 **PRECAUCIÓN: SI LA MIRA NO ESTÁ MONTADA LO SUFICIENTEMENTE ADELANTE, EL MOVIMIENTO DE RETROCESO PODRÍA HERIR AL TIRADOR AL RETROCEDER EL RIFLE.**

## DETALLES DE MONTAJE SEGÚN MODELO

### **Enrage/Incinerate**

1. Coloque la montura sobre el riel de la base o bases de forma que queden alineadas con los surcos perpendiculares.
2. Enrosque la montura en la base hasta que la cruceta encaje en el surco.
3. Apriete firmemente la tuerca de bloqueo con una moneda o un destornillador. **PRECAUCIÓN: No apriete demasiado.**

### **TRS-26**

1. Afloje el eje con la herramienta múltiple suministrada, de modo que la barra de bloqueo pueda abrazar el riel Picatinny / Weaver.
2. Instale la mira en el riel del arma apretando el eje. Primero, asegúrese de que la mira esté correctamente colocada y de que el eje encaje en un surco del riel Picatinny / Weaver. Para asegurarse de que el eje está firmemente apretado, atornillelo en el sentido de las agujas del reloj hasta que se encuentre una ligera resistencia. **PRECAUCIÓN: No apriete demasiado.**
3. Finalmente, asegúrese de que el eje con la barra de bloqueo está apretado firmemente alrededor del riel de la base.

### **First Strike 2.0**

1. Cualquier base estilo Weaver o Picatinny es apropiada para el montaje de la mira First Strike 2.0. Asegúrese de que la base que va a utilizar se ha fabricado específicamente para su modelo de pistola, rifle o escopeta. Por su seguridad, cerciórese de que la base esté correctamente instalada y firmemente fijada conforme a las instrucciones del fabricante.
2. Afloje el tornillo hexagonal en la montura de la mira con la herramienta suministrada. Coloque la montura sobre el riel de la base de forma que la cruceta se acople a la ranura. Apriete el tornillo hexagonal. **PRECAUCIÓN: No apriete demasiado.**

## ACTIVACIÓN DE LA PILA

Antes de encender la mira por primera vez, deberá abrir el compartimento de la pila y quitar la pegatina protectora o el disco de plástico de la pila. Consulte la Guía de piezas para conocer la ubicación del compartimento de la pila en su modelo.

## SUSTITUCIÓN DE LA PILA

Si la retícula se difumina o no se ilumina en absoluto, sustituya la pila. Para instalar una pila nueva, desatornille la cubierta redonda del compartimento de la pila (*Enrage/Incinerate/TRS-26*) con una moneda, o extraiga la bandeja de la pila\* (*First Strike 2.0*). Inserte una nueva pila de litio CR2032, tomando nota de la posición de los lados positivo y negativo, que varía según el modelo (*consulte la Guía de piezas*). Vuelva a colocar la cubierta de la batería.

*\*(si fuese necesario, inserte un destornillador pequeño en la ranura abierta de la bandeja de la pila de la First Strike para sacar primero la bandeja ligeramente)*

**PRECAUCIÓN: Cuando vuelva a colocar la tapa de la pila, asegúrese de que está la junta tórica y no está dañada. El no hacerlo puede provocar fugas de agua en el compartimento de la batería.**

Compruebe que se ve el punto rojo al encender la alimentación y aumentar el brillo si fuera necesario (consulte la siguiente sección).

## ENCENDER/APAGAR LA ALIMENTACIÓN

Para encender y apagar la alimentación de la mira:

**(Enrage/Incinerate):** Active el punto iluminado girando la perilla del reóstato a cualquier posición numerada. Para apagar la mira, seleccione una marca de punto entre dos números cualquiera.

**(TRS-26/First Strike 2.0):** Presione y suelte el botón de flecha "HACIA ARRIBA" para encender la mira. Para apagarla, presione y mantenga pulsado el botón de flecha "Hacia abajo".

## AJUSTE DE BRILLO DEL PUNTO

Para ajustar el nivel de brillo de la retícula con punto:

**(Enrage/Incinerate):** Gire la perilla del reóstato en el sentido de las agujas del reloj para aumentar el brillo y en sentido contrario a las agujas del reloj para disminuirlo. Con el "1" alineado con la marca de índice, el punto estará difuminado al máximo y con el ajuste "8" alcanzará el nivel máximo de brillo.

**(TRS-26/First Strike 2.0):** Presione y suelte el botón de flecha "HACIA ARRIBA" para aumentar el brillo. Presione y mantenga pulsado el botón de flecha "Hacia abajo" para disminuir el brillo.





**¡ADVERTENCIA! : PUESTO QUE ESTE PROCEDIMIENTO INCLUYE FUEGO REAL, DEBERÍA LLEVARSE A CABO EN UNA GALERÍA AUTORIZADA U OTRA ZONA SEGURA. COMPRUEBE QUE EL CALIBRE NO TENGA OBSTRUCCIONES. UN CALIBRE OBSTRUIDO PUEDE CAUSARLE LESIONES A USTED Y A OTRAS PERSONAS CERCANAS. SE RECOMIENDA USAR PROTECCIÓN DE OJOS Y OÍDOS.**

### ENRAGE/INCINERATE/TRS-26

1. Con la mira montada, deposite el arma sobre una base firme. Encienda la alimentación de la mira y ajuste el brillo hasta que el punto se vea fácilmente.
2. Retire las tapas de ajuste de la desviación y de la elevación.
3. Mire por el cañón y apunte a un objetivo a una distancia de entre 50 y 100 metros. Mire a través de la mira de punto rojo AR Optics y gire a mano los ajustes de desviación y de elevación para alinear el punto central con el objetivo tal y como lo vea a través del cañón. Cada clic de ajuste mueve el punto de impacto en la cantidad escrita en los ajustes. Una vez que el visor esté equilibrado, vuelva a colocar las tapas de los ajustes.

### FIRST STRIKE 2.0

1. Con la mira montada, deposite el arma sobre una base firme. Encienda la alimentación de la mira y ajuste el brillo hasta que el punto se vea fácilmente.
2. Empiece mirando por el cañón y apunte a un objetivo a una distancia de entre 25 y 50 metros. Mire a través de la mira First Strike y gire suavemente los ajustes de desviación y de elevación con la herramienta suministrada para alinear el punto rojo con el objetivo tal y como lo vea a través del cañón.
3. Deberá realizar un disparo de prueba para determinar el punto de impacto del arma. Si no ha conseguido dar en el punto de mira (el centro de su objetivo), realice los ajustes oportunos girando los tornillos de desviación o elevación en la dirección hacia la que quiere disparar la bala. La tabla de la derecha le ayudará a determinar el nivel de ajuste necesario para cambiar el punto de impacto, en función de la zona de disparo.

**Tabla de punto de impacto (First Strike 2.0)**

Distancia	1 vuelta completa del tornillo de ajuste
25 m	19,05 cm
50 m	38 cm
100 m	76 cm
Distancia	1 línea radial en el tornillo de ajuste
25 m	1,9 cm
50 m	3,8 cm
100 m	7,62 cm

### FUNCIONAMIENTO EN CONDICIONES EXTREMAS

- **Calor extremo (húmedo o seco):** no se requieren procedimientos especiales. Evitar una exposición prolongada si es posible.
- **Frío extremo:** temperaturas extremadamente bajas pueden acortar la vida útil de la batería. También podría hacer que el dial giratorio (control de brillo) de la Incinerate/Enrage sea un poco más difícil de girar que a temperaturas normales.
- **Ambiente salino:** no se requieren procedimientos especiales.
- **Aerosol marino, agua, barro y nieve:** asegúrese de que la tapa de la pila y las dos tapas de ajuste (si existen) están bien apretadas antes de exponer la mira al aerosol marino, el barro, la nieve o antes de sumergirla en el agua. Apretar únicamente con la mano. Mantenga las tapas de las lentes cerradas cuando no se utilice la mira. Limpie las lentes con papel / paño para lentes (vea la nota de precaución a continuación) y seque la mira lo antes posible después de la exposición al agua, al rocío de mar, el barro o la nieve.
- **Tormentas de polvo y arena:** mantenga las tapas de las lentes cerradas cuando no se utilice la mira.

**PRECAUCIÓN:** Nunca se deben limpiar las lentes con los dedos, sino con papel / paño para lentes, para evitar rayar el cristal.

Use un cepillo suave o "aire comprimido" para eliminar cualquier residuo suelto (arena, césped, etc.) antes de usar el papel para lentes o un paño suave y limpio.

### RESOLUCIÓN DE PROBLEMAS

**Problema:** El punto rojo no aparece

**Causas posibles/Soluciones:**

- **Batería descargada:** Sustituya la batería por una batería de litio CR2032 nueva.
- **Batería instalada de forma incorrecta:** Retire y vuelva a instalar la batería, remítase a la imagen del compartimento de la batería de la Guía de piezas.
- **La batería no está haciendo contacto:** Limpie las superficies de contacto y vuelva a colocar la batería.
- **Interruptor giratorio defectuoso:** Póngase en contacto con el Servicio al cliente de Bushnell.

**Problema:** Imposible restablecer a cero

**Causas posibles/Soluciones:**

- **El tornillo de ajuste ha llegado a su límite:** Compruebe la alineación de la montura con el cañón.
- **El punto de impacto se mueve:** Compruebe la estabilidad de la montura y el riel del arma (o del asa).



Los productos fabricados a partir de abril de 2017 están cubiertos por la Garantía Ironclad de Bushnell. La Garantía Ironclad es una garantía de por vida que cubre la vida útil de este Producto. Cada producto tiene una vida definida; las vidas pueden variar de 1 a 30 años. La vida útil de este producto se puede encontrar en el sitio web que se detalla a continuación y/o en la página web de Bushnell específica para este Producto.

Garantizamos que este producto está libre de defectos en materiales y mano de obra y cumplirá con todos los estándares de rendimiento representados durante la vida útil de este producto. Si este Producto no funciona correctamente debido a un defecto cubierto, nosotros, a nuestra discreción, lo repararemos o lo reemplazaremos y se lo enviaremos sin cargo. Esta garantía es totalmente transferible y no requiere recibo, tarjeta de garantía ni registro de productos. Esta garantía no cubre lo siguiente: componentes electrónicos; baterías; daño estético; daño causado por no mantener adecuadamente el producto; pérdida; robo; daños como resultado de una reparación, modificación o desensamblaje no autorizado; daño intencional, mal uso o abuso; y el desgaste normal. Esta Garantía será nula si el sello de fecha u otros códigos de serialización han sido eliminados del Producto.

Para ver la garantía completa y encontrar detalles sobre cómo solicitar el servicio bajo la garantía, visite nuestro sitio web en [www.bushnell.com/warranty](http://www.bushnell.com/warranty). Alternativamente, puede solicitar una copia de la garantía llamándonos al 1-800-423-3537 o escribiéndonos a una de las siguientes direcciones:

EN ESTADOS UNIDOS enviar a  
Bushnell Outdoor Products  
Attn.: Repairs  
9200 Cody  
Overland Park, Kansas 66214

EN CANADÁ enviar a:  
Bushnell Outdoor Products  
Attn.: Repairs  
140 Great Gulf Drive, Unit B  
Vaughan, Ontario L4K 5W1

Para los productos comprados fuera de Estados Unidos o Canadá, póngase en contacto con su distribuidor local para obtener información sobre la garantía aplicable.

Esta garantía le otorga derechos legales específicos.  
Es posible que tenga otros derechos que varíen de un país a otro.

© 2018 Bushnell Outdoor Products

## NOTA DE LA FCC

Este equipo ha sido probado y se ha demostrado su cumplimiento con los límites para un dispositivo digital de clase B, de acuerdo con la parte 15 del reglamento de la FCC. Estos límites están diseñados para proporcionar una protección razonable frente a interferencias nocivas en una instalación residencial. Este equipo genera, usa y puede radiar energía de radiofrecuencia. Si no se instala y utiliza de acuerdo con las instrucciones, puede causar interferencias indeseables en las comunicaciones por radio.

Sin embargo, no existe garantía de que no se produzcan interferencias en una instalación en particular. Si este equipo llega a causar interferencias indeseables en la recepción de radio o televisión, lo cual se puede determinar apagando y encendiendo el equipo, se recomienda al usuario que trate de corregir la interferencia tomando una o más de las siguientes medidas:

- Reorientar la antena receptora o cambiar su ubicación.
- Aumentar la separación entre el equipo y el receptor.
- Conectar el equipo a una toma de corriente o a un circuito distinto al que está conectado el receptor.
- Consultar al distribuidor o a un técnico de radio/televisión experimentado en busca de ayuda.

El cable de interfaz blindado debe usarse con el equipo para cumplir con las limitaciones de un dispositivo digital de acuerdo con la sección B de la parte 15 del reglamento de la FCC.

Las especificaciones y los diseños están sujetos a cambios sin previo aviso ni obligación alguna del fabricante



## SEGURIDAD CONFORME A FDA

Producto láser de clase 1 de acuerdo con IEC 60825-1:2007.

Cumple con la norma 21 CFR 1040.10 y 1040.11 para productos láser, excepto lo indicado en conformidad con la Advertencia sobre láser n.º 50, de 24 de junio de 2007.

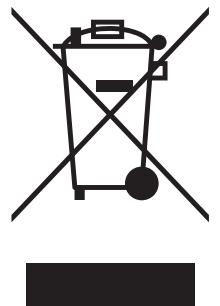
Precaución: no hay ajustes, procedimientos ni controles de usuario. La realización de procedimientos que no sean los especificados en este documento puede dar como resultado el acceso a luz láser invisible.

### **Eliminación de equipos eléctricos y electrónicos** *(Aplicable en la UE y otros países europeos con sistemas de recogida separada)*

Este equipo contiene elementos eléctricos o electrónicos y por tanto no debe eliminarse con los residuos domésticos normales. En cambio, debe eliminarse en los correspondientes puntos de recogida para reciclaje previstos por las comunidades. Para usted resultará gratuito.

Si el equipo incorpora baterías intercambiables (recargables), estas también deben retirarse antes y, si es necesario, eliminarlas de acuerdo con las regulaciones correspondientes (consulte también los comentarios al efecto de las instrucciones de estas unidades).

La administración de su comunidad, su empresa local de recogida o la tienda en la que adquirió este equipo pueden proporcionarle información adicional sobre este tema.



 **ADVERTENCIA: este producto usa una batería de litio. Las baterías de litio pueden sobrecalentarse y causar daños si se abusa físicamente. No use baterías que estén dañadas o muestren signos de desgaste físico.**

Vielen Dank für den Erwerb Ihres neuen Bushnell® AR Optics® Rotpunktvisiers (optisches Leuchtvisier).

Diese Bedienungsanleitung hilft Ihnen bei der Optimierung Ihres Sichterlebnisses und erläutert, wie die Kontrollen und Funktionen des Visiers zu nutzen sind und wie Sie es am besten pflegen. Bitte lesen Sie diese Anleitung sorgfältig durch, bevor Sie das Visier benutzen.

 **WARNUNG! : BLICKEN SIE NICHT DURCH DIE OPTIK IN DIE SONNE, DA DIES ZU DAUERHAFTEN AUGENSCHÄDEN ODER SOGAR ZUR ERBLINDUNG FÜHREN KANN.**

## ÜBER DIE BUSHNELL® AR OPTICS® TAKTISCHEN ROTPUNKTVISIERE

Alle in diesem Handbuch beschriebenen AR Optics-Modelle sind moderne Visiere, die speziell für den Schießsport, Scheibenschießen oder Freizeitschießen mit Handfeuerwaffen, Gewehren, Schrotflinten und Bögen sowie zum Jagen aus kleineren Entfernungen geeignet sind.

Das Leuchtabsehen Ihres Visiers wurde so vorfokussiert, dass der Zielpunkt immer im Fokus auf dem Ziel erscheint. Offene Visiere zum Beispiel zwingen Sie, sich auf die Kimme, das Korn und das Ziel gleichzeitig zu fokussieren und das Ziel scharfzustellen.

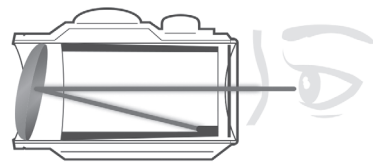
AR Optics Rotpunktvisiere können problemlos mit beiden Augen offen verwendet werden (die Augenentlastung ist unbeschränkt), sodass sich der Schütze stärker seiner Umgebung bewusst ist und das Ziel dank des Parallax-freien Designs schneller erfassen kann, da der Punkt der Bewegung des Auges folgt, gleichzeitig aber weiter das Ziel anvisiert. Entwickelt für höhere Geschwindigkeit und Genauigkeit erlauben Ihnen diese Visiere sich auf das Ziel anstatt auf das Absehen zu konzentrieren, wodurch die Zielgenauigkeit erhöht wird. Hier können Sie einen genaueren Blick auf jedes Modell der AR Optics Rotpunktvisiere werfen:

- Das **ENRAGE (AR751305)** ist robust und hält für die Ewigkeit. Mehrfachbeschichtete Optiken bieten helle, gestochen scharfe Bilder für eine einfache Zielerfassung. Der 2-MOA-Punkt hat zwei Helligkeitseinstellungen mit einer Off-Einstellung dazwischen. Die inbegriffene hohe Halterung ist sofort einsatzbereit und hat alles, was Sie brauchen. Die Batterie hat eine Lebensdauer von ca. 7.000 Stunden bei einer Helligkeitseinstellung von „4“.
- Das **INCINERATE (AR750132)** macht die Zielerfassung zur zweiten Natur. Das Kreis-Punkt-Absehen hat einen 25-MOA-Kreis, der auf natürliche Weise das Auge auf den 2-MOA-Mittelpunkt lenkt, weshalb es sich ausgezeichnet für taktische Gewehre und Schrotflinten eignet. Es hat eine inbegriffene hohe Halterung und zwei Helligkeitseinstellungen mit einer Off-Einstellung dazwischen. Die Kimme des Incinerate ist mit Glock® Schwalbenschwanzvisieren kompatibel. Die Batterie hat eine Lebensdauer von ca. 6.500 Stunden bei einer Helligkeitseinstellung von „4“.
- Das **TRS-26 (AR71XRD)** übertrifft seinen Vorgänger durch Verbesserungen in mehreren wichtigen Bereichen. Das TRS-26 wird mit einer langlebigen Batterie betrieben, die mit einer Lebensdauer von über 30.000 Stunden (bei einer Helligkeitsstufe von „6“) den Industriestandard setzt. Es liefert einen helleren, schärferen 3-MOA-Punkt mit 11 Helligkeitsstufen und Tastenbedienung in einem kompakten Paket. Das Bushnell AR Optics TRS-26 ist der Standard für multifunktionale rote Punkte.
- Das **FIRST STRIKE 2.0 (AR71XRS)** übertrifft das Vorgänger-Rotpunktvisier bei Weitem. Das First Strike 2.0 ist ebenso vielseitig – es umfasst eine hohe Halterung und eignet sich hervorragend für Schrotflinten und MSRs mit flacher Oberseite. Es bietet eine branchenführende Batterielebensdauer von über 110.000 Stunden (bei standardmäßiger Helligkeitsstufe von „5“) mit werkzeu-freier Batterieentnahme über ein Seitenfach und einem helleren 4-MOA-Punkt mit 10 Helligkeitseinstellungen. Das Bushnell AR Optics First Strike 2.0 verbessert den Klassiker.


**Hinweis:** Die angegebene Batterielebensdauer hängt von den verwendeten Helligkeitseinstellungen ab (*die angegebene geschätzte Lebensdauer basiert auf einer standardmäßigen, mittleren Helligkeitseinstellung*) sowie von der Neuheit und Qualität der Batterie, der Umgebungstemperatur und anderen Faktoren.

## Info zur Rotpunkt-Linsenpositionierung

Alle Rotpunktvisiere haben eine sphärische Objektivlinse an der Vorderseite der Einheit. Im Gegensatz zu einem herkömmlichen Zielfernrohr, bei dem alle Linsen senkrecht (im 90-Grad-Winkel) zur Achse des Rohrs montiert sind, ist die Objektivlinse eines Rotpunktvisiers jedoch nicht auf der Achse und erscheint beim Blick auf das Visier geneigt (*rechts*). Dieser Winkel der Vorderlinse ermöglicht, dass die von der Batterie betriebene LED-Lichtquelle innerhalb der Einheit ins Visier zurück reflektiert wird. Das reflektierte Licht ist der „Punkt“ bzw. die Zielreferenz, die der Schütze beim Einschalten eines Rotpunktvisiers sieht. Diese konstruierte „Krümmung“ des Lichts macht die heutigen Rotpunktvisiere so beliebt und einfach zu verwenden.



## MONTAGE IHRES AR OPTICS® VISIERS

 **WARNUNG! : BEVOR SIE DAS VISIER MONTIEREN, DIE BATTERIE AUSTAUSCHEN ODER DAS VISIER ENTFERNEN ODER WARTEN, STELLEN SIE SICHER, DASS DER ABZUG OFFEN IST, DER LADESTREIFEN ODER DAS MAGAZIN ENTFERNT WURDE UND SICH KEINE PATRONE IM PATRONENLAGER BEFINDET. BEGINNEN SIE NICHT MIT DER ARBEIT, BEVOR IHRE WAFFE GELEERT WURDE UND ALS GESICHERT ANZUSEHEN IST.**

Ihr AR Optics Visier besitzt eine Erhöhung (Enrage, Incinerate, First Strike 2.0) oder hohe Halterung (TRS-26), die zu Picatinny- oder Weaver-Schienen passt.

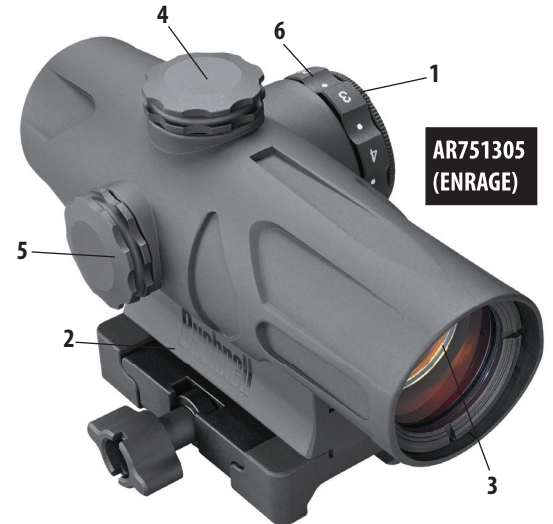
Die Grundplatte bzw. Grundplatten, die Sie für Ihr Visier verwenden, sollten speziell für Ihre Pistole, Ihr Gewehr oder Ihre Schrotflinte angefertigt werden und eine gleichförmige horizontale und vertikale Montageplattform bilden. Vergewissern Sie sich zu Ihrer Sicherheit, dass sie gemäß der Anleitung des Herstellers ordnungsgemäß installiert und sicher befestigt sind. Für Ihr AR Optics Visier gibt es keinen festen Augenabstand. Sie sollten deshalb in Schussposition mindestens einen Abstand von ca. 7,5 cm zwischen

der Linse und Ihrem Auge einhalten. Beachten Sie, dass Schusswaffen mit Schulterstützen mit anpassbarer Anschlaglänge den Umfang der verwendbaren Augenentlastung beeinträchtigen oder begrenzen können.

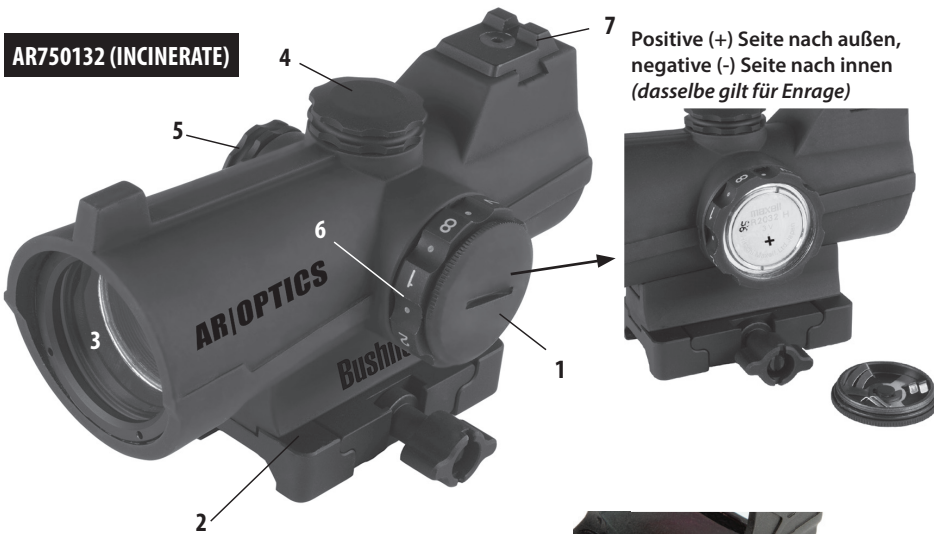
Setzen Sie die Halterung auf die Grundplatte(n), sodass sie auf die Querschnittsrillen ausgerichtet ist. Schieben Sie die Halterung auf die Grundplatte(n), bis der Querbolzen in der Rille sitzt. Schieben Sie die Halterung nach vorne, sodass der Querbolzen in der vorderen Rille einrastet und kein Abstand mehr vorhanden ist. Während Sie die Einheit in Position halten, ziehen Sie die Sicherungsmutter oder die Montageplatte fest. Die folgenden Hinweise (*nächste Seite*) enthalten spezifische Informationen zur Montage der verschiedenen Modelle von AR Optics Rotpunktvisieren.

## TEILEANLEITUNG

1. Batteriefach
2. Halterung (mit Hocheinsatz bei Incinerate, Enrage. Bei First Strike ist ein Hocheinsatz im Lieferumfang enthalten, aber nicht vormontiert.)
3. Linse
4. Höhenverstellung (bei Bedarf Abdeckung entfernen)
5. Seitenverstellung (bei Bedarf Abdeckung entfernen)
6. Helligkeitssteuerung (Rheostateinstellung oder Auf-/Abwärtstasten)
7. Optionale Kimmenbefestigung – passt zum Glock® Schwalbenschwanz (nur AR750132)
8. Kleine Sechskantschrauben (nur AR71XRS)
9. LED (nur AR71XRS)



**AR751305  
(ENRAGE)**

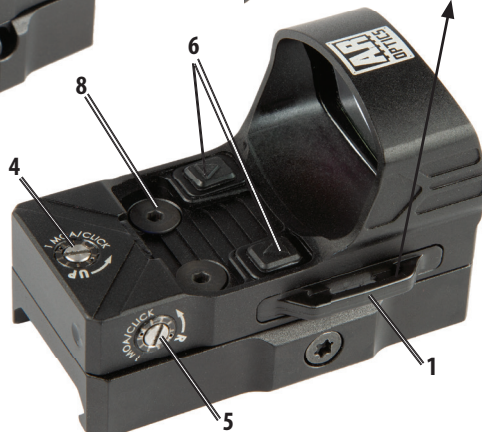


**AR750132 (INCINERATE)**

Positive (+) Seite nach oben, negative (-) Seite nach unten



**AR71XRS (FIRST STRIKE 2.0)**



**AR71XRD (TRS-26)**

 **WARNUNG: WENN DAS VISIER NICHT AUSREICHEND WEIT VORN MONTIERT WIRD, KANN ES DURCH DIE RÜCKWÄRTSBEWEGUNG BEIM RÜCKSTOSS DER WAFFE DEN SCHÜTZEN VERLETZEN.**

## MONTAGEDETAILS NACH MODELL

### **Enrage/Incinerate**

1. Setzen Sie die Halterung auf die Schiene oder Grundplatten, sodass sie auf die Querschnittrillen ausgerichtet sind.
2. Schieben Sie die Halterung auf die Grundplatte(n), bis der Querbolzen in der Rille sitzt.
3. Ziehen Sie die Schlossmutter mit einer Münze oder einem Schraubendreher sicher an. **ACHTUNG: Nicht zu fest ziehen.**

### **TRS-26**

1. Lösen Sie den Schaft durch das mitgelieferte Multi-Tool, sodass die Verriegelung an der Schiene des Picatinny/Weaver befestigt werden kann.
2. Befestigen Sie das Visier an der Waffenschiene, indem Sie den Schaft festziehen. Stellen Sie zunächst sicher, dass das Visier richtig positioniert ist und dass der Schaft in eine Rille auf der Picatinny-/Weaver-Schiene passt. Um sicherzustellen, dass der Schaft gut befestigt ist, schrauben Sie den Schaft im Uhrzeigersinn fest, bis Sie auf einen leichten Widerstand treffen. **ACHTUNG: Nicht zu fest ziehen.**
3. Stellen Sie abschließend sicher, dass der Schaft und die Verriegelung gut an der Schiene befestigt sind.

### **First Strike 2.0**

1. Jede Weaver- und Picatinny-Grundplatte eignet sich zur Montage des First Strike 2.0. Stellen Sie sicher, dass die verwendete Grundplatte speziell für Ihre Pistole, Ihr Gewehr oder Ihre Schrotflinte angefertigt ist. Vergewissern Sie sich zu Ihrer Sicherheit, dass die Grundplatte entsprechend den Anweisungen des Herstellers sachgerecht installiert und sicher befestigt ist.
2. Lockern Sie die Sechskantschraube an der Halterung des Visiers mithilfe des mitgelieferten Werkzeugs. Positionieren Sie die Halterung so auf der Schiene, dass der Querbolzen in eine Nut einrastet. Ziehen Sie die Sechskantschraube an. **ACHTUNG: Nicht zu fest ziehen.**

## AKTIVIEREN DER BATTERIE

Bevor Sie Ihr Visier zum ersten Mal einschalten, müssen Sie das Batteriefach öffnen und den Schutzaufkleber oder die Kunststoffscheibe von der Batterie entfernen. Konsultieren Sie die Teileanleitung, um herauszufinden, wo sich das Batteriefach an Ihrem Modell befindet.

## AUSTAUSCH DER BATTERIE

Sollte das Absehen verblassen oder überhaupt nicht leuchten, tauschen Sie die Batterie aus. Um eine neue Batterie einzusetzen, schrauben Sie die runde Batteriefachabdeckung mithilfe einer Münze ab (*Enrage/Incinerate/TRS-26*) oder ziehen Sie den Batteriehalter heraus\* (*First Strike 2.0*). Legen Sie eine neue CR2032-Lithiumbatterie ein, wobei Sie auf die richtige Position der positiven und negativen Seite achten, die sich je nach Modell unterscheidet (*siehe Teileanleitung*). Tauschen Sie die Batterieabdeckung aus.

*\*(Falls notwendig, legen Sie einen kleinen Schraubendreher in den offenen Schlitz des Batteriehalters, um den Halter zunächst etwas herauszudrücken.)*

**ACHTUNG: Achten Sie beim Austausch der Batterieabdeckung darauf, dass der O-Ring vorhanden und unbeschädigt ist. Ein Nichtbefolgen dieser Anweisungen kann dazu führen, dass Wasser in das Batteriefach gelangt.**

Stellen Sie sicher, dass der rote Punkt vorhanden ist, indem Sie die Einschalttaste betätigen und die Helligkeit bei Bedarf erhöhen (siehe nächsten Abschnitt).

## EINSCHALTEN/AUSSCHALTEN

So schalten Sie das Visier ein bzw. aus:

**(Enrage/Incinerate):** Aktivieren Sie den Leuchtpunkt durch Drehen des Rheostatknopfes auf eine nummerierte Position. Um das Visier auszuschalten, wählen Sie einen Punkt zwischen zwei beliebigen Zahlen.

**(TRS-26/First Strike 2.0):** Drücken Sie kurz die Aufwärtspfeiltaste, um das Visier einzuschalten. Zum Ausschalten betätigen Sie die Abwärtspfeiltaste und halten sie gedrückt.

## ANPASSEN DER PUNKTHELLIGKEIT

So passen Sie die Helligkeitsstufe des Punktabsehens an:

**(Enrage/Incinerate):** Drehen Sie den Rheostatknopf im Uhrzeigersinn, um die Helligkeit zu erhöhen, und gegen den Uhrzeigersinn, um die Helligkeit zu verringern. Auf dem Markierungsstrich „1“ ist der Punkt am dunkelsten, und bei der Einstellung „8“ ist der Punkt auf dem hellsten Beleuchtungsniveau.

**(TRS-26/First Strike 2.0):** Drücken Sie kurz die Aufwärtspfeiltaste, um die Helligkeit zu erhöhen. Drücken Sie kurz die Abwärtspfeiltaste, um die Helligkeit zu verringern.

## EINSCHIESSEN/AUF NULL SETZEN IHRES AR OPTICS® VISIERS



**WARNUNG! : DA DIESER VORGANG SCHARFSCHIESSEN BEINHÄLTET, MUSS ER INNERHALB EINER ZUGELASSENEN ANLAGE ODER EINES ANDEREN SICHEREN GEBIETES ERFOLGEN. DEN LAUF AUF VERSTOPFENDE OBJEKTE PRÜFEN. EIN VERSTOPFTER LAUF KANN IHNEN UND ANDEREN IN IHRER NÄHE SCHADEN ZUFÜGEN. WIR EMPFEHLEN DIE VERWENDUNG VON AUGEN- UND GEHÖRSCHUTZ.**

### ENRAGE/INCINERATE/TRS-26

1. Legen Sie die Pistole mit dem befestigten Visier auf eine feste Stütze. Schalten Sie das Visier ein und passen Sie die Helligkeit bei Bedarf an, bis der Punkt gut sichtbar ist.
2. Entfernen Sie die Seiten- und Höhenverstellungskappen.
3. Sichten Sie entlang des Laufs und zielen Sie auf ein Ziel im Abstand von 45 bis 90 Metern. Sichten Sie durch den roten Punkt Ihres AR Optics und drehen Sie manuell die Seiten- und/oder Höhenverstellungen, um den Mittelpunkt auf das Ziel auszurichten, das Sie entlang des Laufs sehen. Mit jedem Klick bei der Verstellung wird der Auftreffpunkt gemäß dem auf den Einstellungen angegebenen Wert verschoben. Wenn das Zielfernrohr auf Null gesetzt ist, tauschen Sie die Verstellungskappen aus.

### FIRST STRIKE 2.0

1. Legen Sie die Pistole mit dem befestigten Visier auf eine feste Stütze. Schalten Sie das Visier ein und passen Sie die Helligkeit bei Bedarf an, bis der Punkt gut sichtbar ist.
2. Sichten Sie zunächst entlang des Laufs und zielen Sie auf ein Ziel im Abstand von 45 bis 90 Metern. Sichten Sie durch Ihr First Strike-Visier und drehen Sie vorsichtig die Seiten- und/oder Höhenverstellungen, indem Sie mit dem mitgelieferten Werkzeug den roten Punkt auf das Ziel ausrichten, das Sie entlang des Laufs sehen.
3. Geben Sie nun einen Probeschuss ab, um den Auftreffpunkt ihrer Waffe zu bestimmen. Wenn Sie den Zielpunkt (die Mitte des Ziels) nicht treffen, nehmen Sie eine Anpassung vor, indem Sie die Seiten- oder Höheneinstellschraube(n) in die Richtung drehen, in die das Geschoss gelenkt werden soll. Die Tabelle rechts hilft Ihnen, die notwendige Anpassungsmenge zur Veränderung des Auftreffpunkts je nach Schussentfernung korrekt zu bestimmen.

**Auftreffpunkt-Tabelle (First Strike 2.0)**

Distanz	1 volle Umdrehung der Einstellschraube
23 m (25 Yard)	19,05 cm (7,5 Zoll)
46 m (50 Yard)	38,1 cm (15 Zoll)
91 m (100 Yard)	76,2 cm (30 Zoll)
Distanz	1 Markierung an der Einstellschraube
23 m (25 Yard)	1,905 cm (0,75 Zoll)
46 m (50 Yard)	3,81 cm (1,5 Zoll)
91 m (100 Yard)	3,81 cm (3 Zoll)

### BETRIEB UNTER EXTREMEN BEDINGUNGEN

- **Extreme Hitze (feucht oder trocken):** Kein spezielles Verfahren erforderlich. Bei Möglichkeit längere Exposition vermeiden.
- **Extreme Kälte:** Extrem niedrige Temperaturen können die Lebensdauer der Batterie verkürzen. Sie können auch dazu führen, dass sich der Drehknopf (Helligkeitssteuerung) auf dem Incinerate/Enrage etwas schwerer drehen lässt als bei normalen Temperaturen.
- **Salzhaltige Luft:** Kein spezielles Verfahren erforderlich.
- **Gischt, Wasser, Schlamm und Schnee:** Stellen Sie sicher, dass der Batteriefachdeckel und die beiden Verstellungskappen (sofern vorhanden) fest angezogen sind, bevor das Visier Gischt, Wasser, Schlamm oder Schnee ausgesetzt wird oder bevor es in Wasser eingetaucht wird. Nur manuell festziehen. Linsenabdeckungen bei Nichtgebrauch des Visiers verschlossen lassen. Reinigen Sie die Linsen mit Linsenpapier/-tuch (siehe Warnhinweis unten) und wischen Sie das Visier so schnell wie möglich nach der Exposition gegenüber Wasser, Gischt, Schlamm oder Schnee trocken.
- **Staubstürme und Sandstürme:** Lassen Sie die Linsenabdeckungen bei Nichtgebrauch des Visiers verschlossen.

**ACHTUNG:** Die Linsen dürfen niemals mit den Fingern gereinigt werden, sondern nur mit Linsenpapier/-tuch, um Glaskratzer zu vermeiden.

Entfernen Sie lose Ablagerungen (Sand, Gras usw.) mit einem weichen Pinsel oder einem Druckluftreiniger, bevor Sie Linsenpapier oder ein weiches, sauberes Tuch verwenden.

### PROBLEMBEHANDLUNG

**Problem: Roter Punkt wird nicht angezeigt**

**Mögliche Ursachen/Lösungen:**

- **Batterie entladen:** Ersetzen Sie die Batterie durch eine neue CR2032-Lithiumbatterie.
- **Batterie falsch eingelegt:** Entfernen Sie die Batterie und legen Sie sie erneut ein, wobei Sie die Abbildung des Batteriefachs in der Teileanleitung beachten.
- **Batterie stellt keinen guten Kontakt her:** Reinigen Sie die Kontaktflächen und legen Sie die Batterie erneut ein.
- **Defekter Drehschalter:** Kontaktieren Sie den Kundendienst von Bushnell.

**Problem: Auf Null setzen nicht möglich**

**Mögliche Ursachen/Lösungen:**

- **Einstellschraube ist an der Grenze:** Prüfen Sie die Ausrichtung der Halterung auf den Lauf.
- **Auftreffpunkt bewegt sich:** Prüfen Sie die Stabilität der Halterung und Waffenschiene (oder des Tragegriffs).



Produkte, die ab April 2017 hergestellt wurden, fallen unter die Bushnell Ironclad-Garantie. Die Ironclad-Garantie ist eine lebenslange Garantie, die sich über die Lebensdauer dieses Produkts erstreckt. Jedes Produkt hat eine definierte Lebensdauer; die Lebensdauer kann von 1 bis 30 Jahren reichen. Die Lebensdauer dieses Produkts finden Sie auf der unten angegebenen Website und/oder auf der für dieses Produkt spezifischen Bushnell-Webseite.

Wir gewährleisten, dass dieses Produkt frei von Material- und Verarbeitungsfehlern ist und alle für die Lebensdauer dieses Produkts geltenden Leistungsstandards erfüllt. Wenn dieses Produkt aufgrund eines von der Garantie abgedeckten Defektes nicht ordnungsgemäß funktioniert, reparieren oder ersetzen wir es nach unserem Dafürhalten und senden es kostenlos an Sie zurück. Diese Garantie ist vollständig übertragbar und erfordert keine Quittung, Garantiekarte oder Produktregistrierung. Diese Garantie gilt nicht für Folgendes: elektronische Komponenten, Batterien, kosmetischer Schäden, durch nicht ordnungsgemäße Wartung entstandene Schäden, Verlust, Diebstahl, Schäden durch unbefugte Reparatur, Änderung oder Demontage, vorsätzliche Beschädigung, missbräuchliche oder unsachgemäße Verwendung und gewöhnlicher Verschleiß. Diese Garantie erlischt, wenn der Datumstempel oder andere Seriennummern vom Produkt entfernt wurden.

Um die vollständige Garantie einzusehen und Informationen darüber zu erhalten, wie Sie einen Service im Rahmen der Garantie anfordern können, besuchen Sie unsere Website unter [www.bushnell.com/warranty](http://www.bushnell.com/warranty). Alternativ können Sie eine Kopie der Garantie anfordern, indem Sie uns unter +1 80 04 23 35 37 anrufen oder uns unter einer der folgenden Adressen schreiben:

Adresse für die USA:

Bushnell Outdoor Products  
Attn.: Repairs  
9200 Cody  
Overland Park, Kansas 66214

Adresse für KANADA:

Bushnell Outdoor Products  
Attn.: Repairs  
140 Great Gulf Drive, Unit B  
Vaughan, Ontario L4K 5W1

Wenden Sie sich bei Produkten, die außerhalb der USA oder Kanada erworben wurden, bitte an Ihren Händler vor Ort, um die jeweils gültigen Garantieinformationen zu erfragen.

Diese Garantie gewährt Ihnen bestimmte gesetzlich verankerte Rechte.  
Unter Umständen haben Sie noch weitere Rechte, die von Land zu Land variieren.

© 2018 Bushnell Outdoor Products



## FCC-HINWEIS

Dieses Gerät wurde getestet und entspricht den Grenzwerten für ein digitales Gerät der Klasse B, entsprechend dem Teil 15 der FCC-Regeln. Diese Grenzwerte bieten einen ausreichenden Schutz gegen Interferenzen bei häuslichen Installationen. Dieses Gerät erzeugt, gebraucht und kann Hochfrequenz-Energie ausstrahlen und kann, falls nicht nach der Anleitung installiert und benutzt, zur Beeinträchtigung von Funkverkehr führen.

Es wird jedoch keinerlei Garantie dafür übernommen, dass die Störungen bei einer bestimmten Installation nicht auftreten. Sollte dieses Gerät die Störungen im Rundfunk- und Fernsehempfang verursachen, was durch Aus- und Einschalten des Gerätes festgestellt werden kann, empfehlen wir, die Störung durch eine oder mehrere der folgenden Maßnahmen zu beheben:

- Richten Sie die Empfangsantenne neu aus oder ändern Sie ihren Standort.
- Vergrößern Sie die Entfernung zwischen Gerät und Funkempfänger.
- Schließen Sie das Gerät und den Funkempfänger an Steckdosen von getrennten Stromkreisen an.
- Wenden Sie sich an Ihre Vertriebsstelle oder an einen erfahrenen Radio-/Fernsehtechniker, wenn Sie weitere Unterstützung benötigen.

Es müssen abgeschirmte Schnittstellenkabel für das Gerät verwendet werden, um den Grenzwerten für Digitalgeräte gemäß Unterabschnitt B von Teil 15 der FCC-Bestimmungen zu entsprechen.

Spezifikationen und Designs können ohne vorherige Ankündigung oder Verpflichtungen auf Seiten des Herstellers geändert werden.



## FDA-SICHERHEIT

Laserprodukt der Klasse 1 gemäß IEC 60825-1:2007.

Entspricht 21 CFR 1040.10 und 1040.11 für Laser-Produkte, außer bei Abweichungen gemäß „Laser Notice No. 50“ vom 24. Juni 2007.

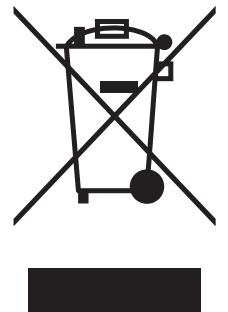
Achtung: Es gibt keine Benutzersteuerung, -anpassungen oder -verfahren. Die Durchführung anderer als der hier angegebenen Verfahren kann zu einem Zugriff auf unsichtbares Laserlicht führen.

### **Entsorgung von elektrischen und elektronischen Geräten (Gültig in der EU und anderen europäischen Ländern mit getrennten Sammelsystemen)**

Dieses Gerät enthält elektrische und/oder elektronische Bauteile und darf deshalb nicht im normalen Haushaltsmüll entsorgt werden. Stattdessen sollte es an den entsprechenden Sammelstellen für Recycling der jeweiligen Gemeinden abgegeben werden. Ihnen entstehen hierdurch keine Kosten.

Wenn die Ausrüstung austauschbare (wiederaufladbare) Batterien enthält, müssen diese zuvor auch herausnehmen und, falls nötig, entsprechend der geltenden Vorschriften entsorgt werden (siehe auch die jeweiligen Anmerkungen in der Anleitung dieses Produkts).

Weitere Informationen zu diesem Thema sind in Ihrer Gemeinde-/Stadtverwaltung, Ihrem regionalen Abfallentsorgungsunternehmen oder in dem Geschäft, in dem Sie Ihr Equipment gekauft haben, erhältlich.



 **WARNUNG: Dieses Produkt verwendet eine Lithium-basierte Batterie. Lithiumbatterien können überhitzen und Schäden verursachen, wenn sie physisch missbraucht werden. Verwenden Sie keine Batterien, die beschädigt sind oder Anzeichen von physischem Verschleiß aufweisen.**

Congratulazioni per avere acquistato il nuovo mirino a punto rosso Bushnell® AR Optics® (mirino ottico illuminato).

Nel presente manuale viene illustrato come utilizzare le funzioni del mirino per ottimizzare l'esperienza di visione e come prendersi cura di questo strumento. Prima di utilizzare il mirino leggere attentamente le istruzioni.



**AVVERTENZA! : NON OSSERVARE IL SOLE ATTRAVERSO L'OTTICA POICHÉ CIÒ PUÒ PROVOCARE DANNI PERMANENTI AGLI OCCHI O PERFINO LA CECITÀ.**

### INFORMAZIONI SUI MIRINI A PUNTO ROSSO TATTICI BUSHNELL® AR OPTICS®

Tutti i modelli AR Optics descritti in questo manuale sono mirini all'avanguardia, progettati specificatamente per il tiro competitivo e il tiro a segno o il plinking con pistole, carabine, fucili e archi, e anche per la caccia su brevi distanze.

Il reticolo illuminato del mirino è stato pre-focalizzato, in modo che il punto di mira appaia sempre a fuoco sul bersaglio. Al contrario, i mirini aperti ti forzano a focalizzarti su mirino posteriore, mirino anteriore e bersaglio contemporaneamente e a mettere a fuoco il bersaglio.

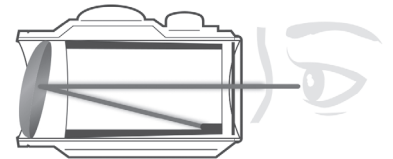
I mirini a punto rosso AR Optics possono essere usati facilmente con entrambi gli occhi aperti (la correzione diottrica è limitata), aumentando l'attenzione del tiratore per l'ambiente circostante e fornendo un'acquisizione più veloce del bersaglio grazie a un design senza errore di parallasse, dal momento che il punto segue il movimento degli occhi dell'utente mentre resta fisso sul bersaglio. Progettati per assicurare massima velocità e precisione, questi mirini consentono di concentrarsi sul bersaglio anziché sul reticolo, con conseguente aumento della precisione. Di seguito, uno sguardo più dettagliato a ciascun modello nella linea dei mirini a punto rosso AR Optics:

- L'**ENRAGE (AR751305)** è solido e costruito per durare. L'ottica multistrato offre immagini luminose e nitide per semplificare l'acquisizione del bersaglio. Il punto 2 MOA ha otto impostazioni di luminosità con un offset tra ogni impostazione. L'attacco hi-rise incluso offre tutto ciò che occorre subito pronto all'uso. La durata della batteria è di circa 7000 ore con il valore di luminosità impostato su "4".
- L'**INCINERATE (AR750132)** rende l'acquisizione del bersaglio un'azione naturale. Il reticolo a punto e cerchio presenta un cerchio 25 MOA che guida naturalmente l'occhio al punto centrale 2-MOA, la soluzione ideale sia per le carabine tattiche che per i fucili. Ha un attacco hi rise incluso e otto impostazioni di luminosità, con un offset tra ogni impostazione. Il mirino posteriore di Incinerate è compatibile con i mirini a coda di rondine Glock®. La durata della batteria è di circa 6.500 ore con il valore di luminosità impostato su "4".
- Il **TRS-26 (AR71XRD)** supera il suo predecessore storico con miglioramenti in diverse aree critiche. Il TRS-26 è potenziato da una batteria a lunga durata che imposta gli standard del settore con più di 30.000 ore di vita della batteria (con un livello di luminosità di "6"). Presenta un punto 3 MOA più luminoso e più nitido con 11 livelli di luminosità e funzionamento dei pulsanti in un pacchetto compatto. Il TRS-26 Bushnell AR Optics è lo standard dei mirini a punto rosso multiuso.
- Il **FIRST STRIKE 2.0 (AR71XRS)** è due volte il punto rosso del suo vecchio fratello. Il First Strike 2.0 è altrettanto versatile - comprende un attacco hi-rise ed è perfetto sia sui fucili che sui MSR flat top. Presenta una batteria con una vita media leader nel settore, con più di 110.000 ore (a un livello di luminosità caratteristico di "5"), un meccanismo di rimozione della batteria dallo scomparto che non richiede l'ausilio di attrezzi o un punto 4 MOA più luminoso, con 10 impostazioni di luminosità. Il Bushnell AR Optics First Strike 2.0 migliora un classico.

**Nota:** la durata della batteria riportata varia a seconda dell'impostazione di luminosità usata (*le stime sulla durata dichiarate si basano sull'impostazione tipica di luminosità media*), la freschezza e la qualità della batteria, la temperatura ambiente e altri fattori.

### Posizionamento della lente del punto rosso

Tutti i mirini a punto rosso hanno una lente di fronte all'unità che è di forma sferica. Tuttavia, diversamente dai cannocchiali da puntamento convenzionali con tutte le lenti montate perpendicolarmente (ad un angolo di 90 gradi) all'asse del tubo, la lente dell'obiettivo in un mirino a punto rosso è posizionata fuori asse e appare inclinata guardando il mirino (*destra*). Questa angolatura della lente frontale consente alla luce generata dalla sorgente di luce LED alimentata a batteria all'interno dell'unità di venire riflessa indietro dentro il mirino. La luce riflessa diventa il "punto" o il riferimento cui mirare che il tiratore vede quando il mirino a punto rosso è acceso. Questa "curvatura" progettata della luce è ciò che rende i mirini a punto rosso di oggi così diffusi e facili da usare.



### MONTAGGIO DEL MIRINO AR OPTICS®



**AVVERTENZA! : PRIMA DI MONTARE IL MIRINO, SOSTITUIRNE LA BATTERIA, O RIMUOVERLA, O ESEGUIRE LA MANUTENZIONE SUL MIRINO, ASSICURARSI CHE L'AZIONE SIA APERTA, IL FERMO O IL CARICATORE RIMOSSO E NON SIA RIMASTO UN COLPO NELLA CAMERA. NON TENTARE DI ESEGUIRE ALCUN LAVORO FINCHÉ LA PISTOLA NON È SCARICA E NON È RITENUTA SICURA.**

Il mirino AR Optics include un blocco rialzato (Enrage, Incinerate, First Strike 2.0) o un attacco high rise (TSR-26) che si adattano ai binari di tipo Picatinny o Weaver.

La base o le basi da usare con il mirino devono essere fabbricate specificatamente per la pistola, la carabina o il fucile e devono creare una piattaforma di montaggio orizzontale e verticale uniforme. Per motivi di sicurezza, assicurarsi che siano installate correttamente e fissate in sicurezza in base alle istruzioni del produttore. Non vi è una correzione diottrica impostata per il mirino AR Optics; pertanto è necessario lasciare almeno 3 pollici (8 cm) di spazio tra la lente di vista e l'occhio nella posizione di tiro.

È importante notare che le armi da fuoco con calcio a lunghezza di tiro ("LOP") regolabile può affettare o limitare il numero di correzioni diottriche utilizzabili.

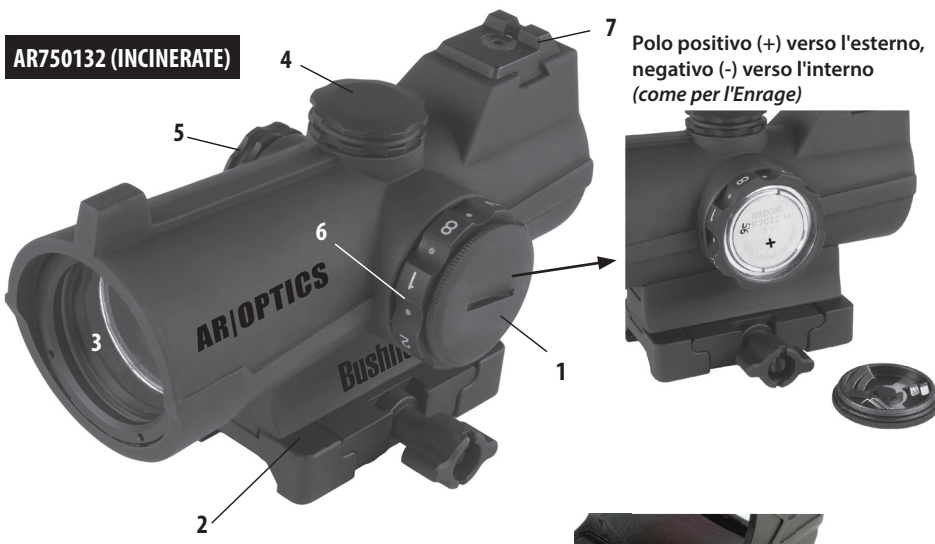
Impostare la montatura nella base o nelle basi, in modo che si allinei alle scanalature a taglio incrociato. Regolare l'attacco nella base finché il bullone incrociato non si inserisce nella scanalatura. Caricare in avanti l'attacco, in modo che il bullone incrociato si agganci alla scanalatura anteriore eliminando lo spazio. Tenendo l'unità in posizione, serrare saldamente il dado di bloccaggio sulla piastra di montaggio. Le seguenti note (pagina seguente) forniscono alcuni dettagli di montaggio specifici per i vari modelli di mirino a punto rosso AR Optics.

## GUIDA ALLE PARTI

1. Vano batteria
2. Attacco (*inserto w/Hi-Rise su Incinerate, Enrage. Hi-Rise è incluso ma non preinstallato su First Strike*).
3. Lente
4. Regolazione di alzo (*rimuovere il cappuccio se necessario*)
5. Regolazione della deriva (*rimuovere il cappuccio se necessario*)
6. Controllo luminosità (*manopola graduata o pulsanti su/giù*)
7. Coda di rondine Glock® per mirino posteriore opzionale (*solo AR750132*)
8. Sm. Bulloni a testa esagonale (*solo AR71XRS*)
9. LED (*solo AR71XRS*)



**AR751305  
(ENRAGE)**



**AR750132 (INCINERATE)**

Polo positivo (+) verso l'esterno, negativo (-) verso l'interno (come per l'Enrage)



Polo positivo (+) verso l'alto, negativo (-) verso il basso



**AR71XRS (FIRST STRIKE 2.0)**

Polo negativo (-) verso l'alto, positivo (+) verso il basso



**AR71XRD (TRS-26)**

 **AVVERTENZA: SE IL MIRINO NON È MONTATO A UNA DISTANZA SUFFICIENTEMENTE LONTANA, IL MOVIMENTO DI SPINTA ALL'INDIETRO PUÒ PROVOCARE DANNI AL TIRATORE A CAUSA DEL CONTRACCOLPO DEL FUCILE.**

## DETTAGLI DI MONTAGGIO PER MODELLO

### **Enrage/Incinerate**

1. Impostare l'attacco nel binario della base o nelle basi, in modo che si allinei alle scanalature a taglio incrociato.
2. Regolare l'attacco nella base finché il bullone incrociato non si inserisce nella scanalatura.
3. Fissare saldamente il dado di bloccaggio con una moneta o un cacciavite. **ATTENZIONE: Non stringere eccessivamente.**

### **TRS-26**

1. Allentare l'impugnatura usando lo strumento multiuso in dotazione, in modo che la barra di bloccaggio si fissi intorno al binario Picatinny/ Weaver.
2. Installare il mirino sul binario dell'arma stringendo l'impugnatura. In primo luogo, assicurarsi che il mirino sia posizionato correttamente e che l'impugnatura sia inserita in una scanalatura del binario Picatinny/Weaver. Per assicurarsi che l'impugnatura sia stretta saldamente, avvitare l'impugnatura in senso orario fino a riscontrare una leggera resistenza. **ATTENZIONE: Non stringere eccessivamente.**
3. Infine, assicurarsi che l'impugnatura con la barra di bloccaggio sia saldamente stretta intorno al binario della base.

### **First Strike 2.0**

1. Qualsiasi base Weaver o Picatinny è adatta per l'attacco del First Strike 2.0. Assicurarsi che la base utilizzata sia prodotta appositamente per la pistola, la carabina o il fucile in uso. Per motivi di sicurezza, assicurarsi che la base sia installata correttamente e fissata in sicurezza secondo le istruzioni del produttore.
2. Allentare il bullone a testa esagonale sull'attacco del mirino usando lo strumento in dotazione. Posizionare l'attacco binario della base, in modo che il bullone incrociato si inserisca nella scanalatura. Serrare il dado a testa esagonale. **ATTENZIONE: Non stringere eccessivamente.**

## MESSA IN FUNZIONE DELLA BATTERIA

Prima di accendere il mirino per la prima volta, è necessario aprire il vano batteria e rimuovere l'adesivo protettivo o il disco di plastica dalla batteria. Consultare la Guida alle parti per la posizione del vano batteria nel proprio modello.

### **SOSTITUZIONE DELLA BATTERIA**

Se la luce del reticolo dovesse attenuarsi o non accendersi, sostituire la batteria. Per installare una nuova batteria, svitare il coperchio del vano batteria (*Enrage/Incinerate/TRS-26*) usando una moneta, o estrarre il vano batteria\* (*First Strike 2.0*). Inserire una nuova batteria al litio CR2032, facendo attenzione alla posizione del polo positivo e negativo, che può variare a seconda del modello (*vedere la Guida alle parti*). Ricollocare in posizione il coperchio della batteria.

*\*(se necessario, inserire un piccolo cacciavite nella fessura aperta del vano batteria del First Strike per fare leva leggermente sul ripiano prima di estrarlo)*

**ATTENZIONE: Quando si sostituisce il coperchio della batteria, fare attenzione che l'o-ring sia presente e non danneggiato. La mancata osservanza di questa avvertenza può provocare perdite all'interno del vano batteria.**

Verificare che il punto rosso sia presente accendendo l'alimentazione e aumentando la luminosità se necessario (*vedere sezione successiva*).

### **ACCENSIONE E SPEGNIMENTO**

Per accendere e spegnere l'alimentazione del mirino:

**(Enrage/Incinerate):** Attivare il punto illuminato ruotando la manopola del reostato in qualsiasi posizione numerata. Per spegnere il mirino, selezionare un punto tra due numeri qualsiasi.

**(TRS-26/First Strike 2.0):** Premere e rilasciare il tasto freccia "SU" per accendere il mirino. Per spegnere, premere e tenere premuto il tasto freccia "GIÙ".

### **REGOLAZIONE LUMINOSITÀ DEL PUNTO**

Per regolare il livello di luminosità del reticolo a punto:

**(Enrage/Incinerate):** Ruotare la manopola del reostato in senso orario per aumentare la luminosità e in senso antiorario per ridurre la luminosità. Allineare "1" al contrassegno per ottenere la minima luminosità del punto e all'impostazione "8" per il livello di luminosità massimo del punto.

**(TRS-26/First Strike 2.0):** Premere e rilasciare il tasto freccia "SU" per aumentare la luminosità. Premere e rilasciare il tasto freccia "GIÙ" per diminuire la luminosità.

## PUNTAMENTO/AZZERAMENTO DEL MIRINO AR OPTICS®



**AVVERTENZA. POICHÉ LA PROCEDURA PREVEDE ESERCITAZIONI A FUOCO, DEVE ESSERE ESEGUITA IN UN POLIGONO AUTORIZZATO O IN UN'ALTRA ZONA SICURA. CONTROLLARE CHE IL CALIBRO NON SIA OSTRUITO. UN CALIBRO OSTRUITO PUÒ PROVOCARE LESIONI ALL'UTILIZZATORE E AD ALTRI NELLE VICINANZE. SI RACCOMANDA DI UTILIZZARE PROTEZIONI VISIVE E ACUSTICHE.**

### ENRAGE/INCINERATE/TRS-26

1. Con il mirino montato, posizionare il fucile su un supporto solido. Accendere l'alimentazione del mirino e regolare la luminosità come necessario finché il punto non sia facilmente visibile.
2. Rimuovere i cappucci di regolazione di alzo e deriva.
3. Puntare lungo la canna e mirare un bersaglio a una distanza di 50 - 100 iarde. Mirare attraverso il punto rosso AR Optics e ruotare a mano le regolazioni di alzo e/o deriva per allineare il punto centrale al bersaglio come già fatto lungo la canna. Ad ogni clic di regolazione il punto di impatto si sposta del livello scritto sulle regolazioni. Una volta azzerato il sistema di mira, sostituire i cappucci di regolazione.

### FIRST STRIKE 2.0

1. Con il mirino montato, posizionare il fucile su un supporto solido. Accendere l'alimentazione del mirino e regolare la luminosità come necessario finché il punto non sia facilmente visibile.
2. Iniziare puntando lungo la canna e mirare un bersaglio a una distanza di 25 - 50 iarde. Guardare attraverso il mirino First Strike e ruotare delicatamente le regolazioni di alzo e/o deriva usando lo strumento in dotazione per allineare il punto rosso al bersaglio come già fatto lungo la canna.
3. Sparare quindi un colpo di prova per determinare il punto di impatto dell'arma. Se non si colpisce il punto di mira scelto (il centro del bersaglio), eseguire una regolazione ruotando le viti di alzo e deriva nella direzione in cui si vuole spostare il proiettile. La tabella a destra consentirà di determinare la quantità adeguata di regolazione necessaria per cambiare il punto di impatto a seconda della distanza di tiro.

**Tabella del punto di impatto (First Strike 2.0)**

Distanza	1 giro completo della vite di regolazione
25 iarde	7,5 pollici
50 iarde	15 pollici
100 iarde	30 pollici
Distanza	1 Tacca di riferimento della vite di regolazione
25 iarde	0,75 pollici
50 iarde	1,5 pollici
100 iarde	3 pollici

### FUNZIONAMENTO IN CONDIZIONI ESTREME

- **Caldo estremo (umido o secco):** non sono richieste procedure speciali. Evitare l'esposizione prolungata se possibile.
- **Freddo estremo:** le temperature eccessivamente basse possono ridurre la durata della batteria. Possono anche rendere la rotella graduata (controllo luminosità) sull'Incinerate/Enrage un po' più dura da girare rispetto alle normali temperature.
- **Salsedine:** non sono richieste procedure speciali.
- **Spruzzi marini, acqua, fango e neve:** assicurarsi che il coperchio della batteria e i due cappucci di regolazione (se presenti) siano ben chiusi prima di esporre il mirino a spruzzi di acqua marina, fango, neve, o prima di immergere il mirino in acqua. Serrare solo manualmente. Tenere i coprilente chiusi quando il mirino non è in uso. Pulire le lenti con carta per lenti/panno (vedere le precauzioni sotto) e asciugare l'obiettivo il prima possibile dopo l'esposizione ad acqua, spruzzi marini, fango o neve.
- **Tempeste di polvere e tempeste di sabbia:** tenere i coprilente chiusi quando il mirino non è in uso.

**ATTENZIONE: le lenti non devono mai essere pulite con le dita ma con carta per lenti o panno, per evitare di graffiare il vetro.**

Usare una spazzola morbida o "area compressa" per rimuovere ogni detrito rimasto (sabbia, erba ecc.) prima di usare la carta per lenti o un panno pulito e morbido.

### RISOLUZIONE DEI PROBLEMI

**Problema: il punto rosso non appare**

**Possibili cause/Soluzioni:**

- **Batteria scarica:** sostituire la batteria con una nuova batteria al litio CR2032.
- **Batteria installata in modo errato:** rimuovere e reinstallare la batteria, facendo riferimento all'immagine del vano batteria della guida alle parti.
- **La batteria non fa bene contatto:** pulire la superficie di contatto e reinstallare la batteria.
- **Selettore girevole difettoso:** contattare l'assistenza clienti Bushnell.

**Problema: impossibile azzerare**

**Possibili cause/Soluzioni:**

- **La vite di regolazione è al limite:** controllare l'allineamento dell'attacco sulla canna.
- **Il punto di impatto si muove:** controllare l'attacco e la stabilità del binario (o maniglia di trasporto) dell'arma.



I prodotti fabbricati a partire da aprile 2017 sono coperti dalla Garanzia Bushnell Ironclad. La Garanzia Ironclad è una garanzia a vita completa che copre la vita utile di questo prodotto. Ogni prodotto ha una durata di vita definita, che può variare da 1 a 30 anni. La durata di questo prodotto è riportata sul sito Web elencato di seguito e/o sulla pagina Web Bushnell specifica di questo prodotto.

Si garantisce che questo prodotto è esente da difetti di materiali e di lavorazione e che soddisferà tutti gli standard di prestazioni rappresentati per tutta la durata di vita del prodotto. Se questo prodotto non funziona correttamente a causa di un difetto coperto provvederemo, a nostra esclusiva discrezione, a ripararlo o sostituirlo e rispedirlo gratuitamente. Questa garanzia è completamente trasferibile e non richiede ricevuta, scheda di garanzia o registrazione del prodotto. La presente garanzia non copre quanto segue: componenti elettronici, batterie, danni estetici, danni causati dalla mancata corretta manutenzione del prodotto, perdita, furto, danni dovuti a riparazione, modifica o smontaggio non autorizzati, danni intenzionali, uso improprio o abuso e normale usura. La presente Garanzia decade se la data stampata o altri codici di serializzazione sono stati rimossi dal prodotto.

Per visualizzare la garanzia completa e trovare dettagli su come richiedere l'assistenza in garanzia, visitare il nostro sito Web all'indirizzo [www.bushnell.com/warranty](http://www.bushnell.com/warranty). In alternativa, è possibile richiedere una copia della garanzia chiamandoci al numero 1-800-423-3537 o scrivendoci a uno dei seguenti indirizzi:

Negli U.S.A. spedire a:

Bushnell Outdoor Products  
Attn.: Repairs  
9200 Cody  
Overland Park, Kansas 66214

IN CANADA spedire a:

Bushnell Outdoor Products  
Attn.: Repairs  
140 Great Gulf Drive, Unit B  
Vaughan, Ontario L4K 5W1

Per prodotti acquistati fuori da Stati Uniti o Canada, rivolgersi al rivenditore per le clausole pertinenti della garanzia.

La presente garanzia ti riconosce specifici diritti legali.  
Potresti avere altri diritti, i quali variano da paese a paese.

©2018 Bushnell Outdoor Products

## NOTA FCC

Questo dispositivo è stato collaudato e risulta essere conforme ai limiti previsti per i dispositivi digitali di Classe B ai sensi della Parte 15 delle normative FCC. Questi limiti sono concepiti per fornire ragionevole protezione contro interferenze nocive nelle installazioni residenziali. Questo dispositivo genera, utilizza e può irradiare energia a radiofrequenza e, se non installato e utilizzato come specificato nelle istruzioni, può causare interferenze dannose alle comunicazioni radio.

Tuttavia, non c'è alcuna garanzia che le interferenze non si verifichino in particolari installazioni. Se il dispositivo causa interferenze pericolose alla ricezione radio o televisiva (il che può essere verificato spegnendo e accendendo il dispositivo), si consiglia di cercare di correggere l'interferenza adottando una o più tra le seguenti misure:

- Riorientare o riposizionare l'antenna di ricezione.
- Aumentare la distanza tra il dispositivo e il ricevitore.
- Collegare il dispositivo a una presa su un circuito diverso da quello a cui è connesso il ricevitore.
- Consultare il rivenditore o un tecnico radio/TV esperto per assistenza.

È necessario utilizzare con il dispositivo il cavo di interfaccia schermato per garantire la conformità ai limiti previsti per i dispositivi digitali a norma della Sottoparte B della Parte 15 delle normative FCC.

Specifiche, istruzioni e design del presente prodotto sono soggetti a variazione senza alcun preavviso o ulteriore obbligo da parte del produttore.



## SICUREZZA FDA

Prodotto laser di classe 1 in conformità con IEC 60825-1:2007.

Conforme con 21 CFR 1040.10 e 1040.11 per i prodotti laser tranne che per le deviazioni di cui alla Laser Notice N. 50, datata 24 giugno 2007.

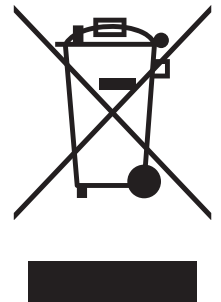
Attenzione: non ci sono controlli, regolazioni o procedure dell'utente. Prestazioni o procedure diverse da quelle qui specificate possono determinare l'accesso alla luce laser invisibile.


### **Smaltimento di apparecchiature elettriche ed elettroniche** *(Vigente presso i Paesi UE e altri Paesi europei con sistemi di raccolta differenziata dei rifiuti)*

Il presente apparecchio componenti elettriche e/o elettroniche e non può pertanto essere smaltito come rifiuto domestico ordinario. Al contrario, dovrebbe essere smaltito presso punti di raccolta destinati al riciclaggio, in base alle istruzioni delle amministrazioni locali. Tale operazione non prevede alcun costo per l'utente.

Qualora l'apparecchio dovesse contenere batterie (ricaricabili) sostituibili, anche queste devono essere prima rimosse e, laddove previsto, smaltite in conformità alle normative specifiche (cfr. altresì i commenti specifici nelle presenti istruzioni sull'unità).

Per ulteriori informazioni su questa tematica, rivolgersi all'amministrazione locale, all'azienda incaricata della raccolta dei rifiuti o alla rivendita presso cui è stato acquistato l'apparecchio.



 **AVVERTENZA: questo prodotto utilizza una batteria al litio. Le batterie al litio possono surriscaldarsi e causare danni se maltrattate fisicamente. Non utilizzare batterie danneggiate o che mostrano segni di usura fisica.**

# Bushnell®

©2018 Bushnell Outdoor Products  
Bushnell,™, ®, denote trademarks of Bushnell Outdoor Products  
[www.bushnell.com](http://www.bushnell.com)  
9200 Cody, Overland Park, KS 66214