

RCBS®

REBEL RELOADING PRESS



PRODUCT INSTRUCTIONS

9353

03-20



WARNING

Before using the RCBS Rebel Reloading Press, read these instructions carefully to fully learn how to safely operate the related reloading equipment. Failure to properly operate the related reloading equipment can result in severe personal injury and/or equipment damage.

If you have any questions while assembling or operating this tool,

Call us at **1-800-533-5000** (US or Canada)

Or email us at rcbs.tech@vistaoutdoor.com

This instruction manual contains specific safety and operating information. It should be considered a permanent part of your reloading equipment and remain with the equipment at all times for easy reference.

NOTICE - This manual is not intended to provide comprehensive instructions or safety information on how to reload, or handle or use reloading components. Always read and thoroughly understand a reloading manual before attempting to reload ammunition.

SAFETY

Reloading is an enjoyable and rewarding hobby when conducted safely. But, as with many hobbies, carelessness or negligence can make reloading hazardous. When reloading, always follow these safety guidelines to minimize the risk of personal injury or death.

RELOADING SAFETY

- Always wear safety glasses.
- Understand what you are doing and why. Read handbooks and manuals on reloading. Talk to experienced reloaders. Write or call suppliers of equipment or components if you have questions or are in doubt.
- Read and understand all warnings and instructions accompanying your equipment and components. If you do not have written instructions, request a copy from the manufacturer. Keep instructions for future reference.
- Don't rush or take short cuts. Establish a routine and follow it at a leisurely pace.
- Keep complete records of reloads. Label each box showing the date produced, and the type of primer, powder and bullet used.
- Do not smoke while reloading, or reload near sources of heat, sparks or flame.
- Observe good housekeeping in the reloading area. Keep tools and components neat, clean and orderly. Promptly and completely clean up any spills.
- Keep all reloading equipment and components out of reach of children.
- Stay alert. Reload only when you can give your undivided attention. Do not reload when tired, ill, rushed or under the influence of drugs or alcohol.

Because RCBS has no control over the choice, assembly or use of components or other reloading equipment, RCBS assumes no liability, express or implied, for the use of ammunition reloaded with this product.

PRIMERS AND POWDER

- Store powder beyond the reach of children and away from heat, dampness, open flames and electrical equipment. Avoid areas where static electricity is evident.
- DO NOT use primers of unknown identity.
- Dispose of unknown primers in accordance with applicable regulations.
- Keep primers in the original factory container until ready to use. Return unused primers to the same factory packaging for safety and to preserve their identity. Primer packaging is designed to provide safe storage.
- DO NOT store primers in bulk. The blast of just a few hundred primers is sufficient to cause serious injury to anyone nearby.
- DO NOT force primers. Use care in handling primers.
- DO NOT have more than one can of powder on the bench at one time. Powder cans should be stored away from the bench to avoid picking up the wrong one.
- DO NOT use any powder unless its identity is positively known. The only positive identification is the manufacturer's label on the original canister. Discard all mixed powders and those of uncertain identity.
- DO NOT attempt to prime military cartridge cases with crimped/staked primer pockets until the crimp/staking has been removed with a reamer or by swaging. Attempting to seat primers into staked/crimped primer pockets can result in primer detonation, which can cause serious personal injury.
- DO NOT decap live primers. This is extremely dangerous and can result in primer detonation, causing serious personal injury.
- If you use a powder measure, replace the lids on both the powder hopper and powder can after the powder hopper has been filled.
- When using a powder measure, settle the powder in the powder hopper before charging any cases. Throw and check the weight of at least ten charges. This will assure you that the correct powder charge is being thrown.
- When you finish a reloading session, pour any remaining powder back into its original factory container. This will preserve the identity and shelf life of the powder.
- DO NOT smoke while reloading.

LOADING DATA

- DO NOT SMOKE WHILE RELOADING
- OBSERVE ALL WARNINGS ABOUT THE USE OF MAXIMUM LISTED LOADS.
- Use only laboratory tested reloading data. We recommend the SPEER Reloading Manual.

RECORD KEEPING

- Keep complete records of reloads. Apply a descriptive label to each box showing the date produced, and the primer, powder and bullet used. Labels for this purpose are packed with SPEER bullets.
- Never attempt to guess at the identity of your ammunition.

GENERAL INFORMATION

The RCBS Rebel Reloading Press is the next evolution in single stage reloading presses. With the Rebel Reloading Press you can load your favorite pistol and rifle ammo from magnums down to .17 caliber. The larger loading window allows room for the longer cartridges while also providing more width for greater ease of use. The sturdy block 'O' frame eliminates springing of the frame that occurs in other type presses. All press components are constructed of iron and steel. The compound leverage ensures ease of sizing the largest cartridge cases. The Rebel Reloading Press frame provides 4-1/2" of bearing surface for the 1" diameter ram, insuring alignment between the shell holder and the die throughout the ram stroke. A new style ram allows the user to place a trash can below the press for spent primer containment which allows for a cleaner working surface. The upgraded threaded linkage pins allow for ease of disassembly for cleaning. The Rebel Reloading Press is also fitted with a zerk fitting so the user can lubricate the ram/frame interface and has an ambidextrous handle design.

UNPACKING

Unpack the press carefully and look for the items listed below:

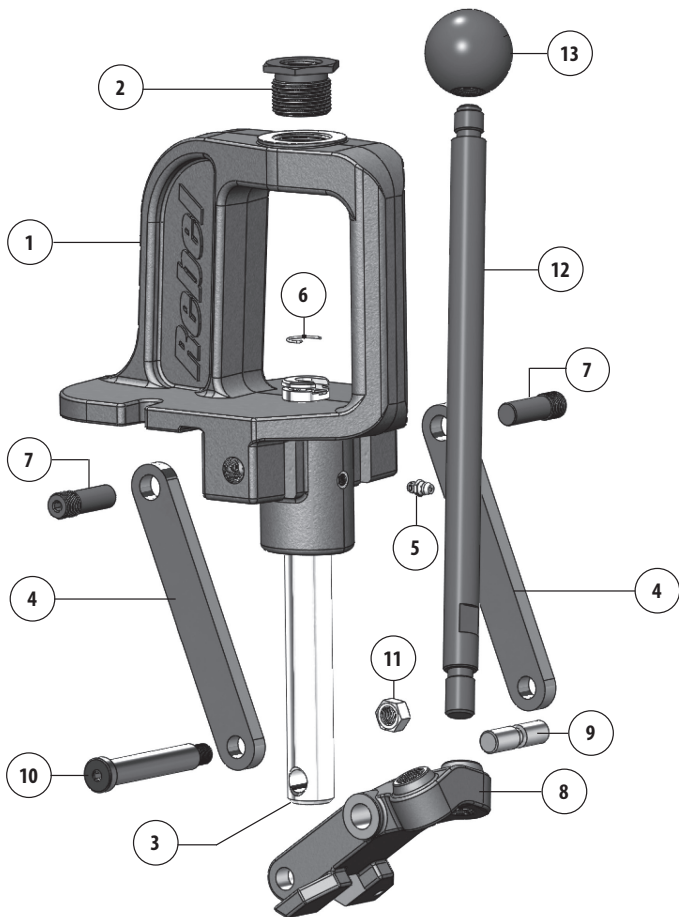
- Press
- Handle
- Instructions

INSTALLATION

Mount the Rebel Reloading Press to a sturdy workbench or table with two 3/8" bolts of sufficient length to penetrate the press base and bench. The Rebel Reloading Press may also be mounted to an optional Accessory Base Plate-3, (#09282, sold separately). Attach the threaded portion of the handle to either the right or left side of the toggle block and lock down using a 9/16" open end wrench on the flats provided on the handle. The handle must always remain tight to avoid damage to the handle or toggle block.

MAINTENANCE

This press was lubricated at the factory. However, it is necessary to lubricate all moving parts from time to time with gun oil. A zerk fitting has been installed on the front of the frame to lubricate the ram/ frame interface. If rust spots appear, swab lightly with gun oil and wipe dry. It is a good practice to clean the press prior to lubrication to remove grit and other residue. Note: the ease with which the epoxy enamel paint wipes clean. This finish is impervious to oil and is extremely chip and fade resistant.



ITEM NO.	PART NUMBER	DESCRIPTION	QTY.
1	20049489	Rebel Press Frame	1
2	7709138	Press Bushing	1
3	20049494	Rebel Ram	1
4	7188719	Link	2
5	7109213	Zerk Fitting	1
6	7109112	Clip Spring	1
7	20049495	Rebel Link Pin	2
8	20049491	Rebel Toggle Block	1
9	7788255	Ram Pin	1
10	20049496	Rebel Toggle Pin	1
11	7187212	7/16-20 Nyloc Nut	1
12	20049497	Handle	1
13	7109121	Handle Ball	1

LIMITED LIFETIME WARRANTY

Your RCBS Rebel Reloading Press is warranted to be free from defects in material or workmanship for as long as the original owner owns it. This warranty is extended only to the original consumer purchaser. All RCBS products are intended for non-commercial use by hobbyists. Any other use of these products will void the warranty. Should you believe that your Rebel Reloading Press is defective in material or workmanship, you must return it to RCBS, postage paid for evaluation. If defective, the product will be repaired or replaced at RCBS' option at no charge

Send a dated proof of purchase to RCBS for return shipping and handling, along with the Rebel Reloading Press to:

RCBS
605 Oro Dam Blvd East
Oroville, California 95965

Warranty services cannot be provided without meeting the above requirements.

THIS LIMITED LIFETIME WARRANTY DOES NOT COVER DEFECTS OR DAMAGE RESULTING FROM: CARELESSNESS, MISUSE, COMMERCIAL USE, ABUSE, IMPROPER INSTALLATION, MODIFICATION, OR NORMAL WEAR AND TEAR. THE IMPLIED WARRANTIES OF MERCHANTABILITY AND FITNESS FOR A PARTICULAR PURPOSE ARE LIMITED TO THE DURATION OF THIS LIMITED LIFETIME WARRANTY. RCBS IS NOT LIABLE FOR DAMAGES IN EXCESS OF THE PURCHASE PRICE OF THE PRODUCT AND UNDER NO CIRCUMSTANCES SHALL RCBS BE LIABLE FOR CONSEQUENTIAL OR INCIDENTAL DAMAGES. HOWEVER, SOME STATES DO NOT ALLOW LIMITATIONS OR INCIDENTAL, OR CONSEQUENTIAL DAMAGES, SO THE ABOVE LIMITATION OR EXCLUSION MAY NOT APPLY TO YOU.

The above warranty provides the sole and exclusive warranty available to the customer in the event of a defect in material or workmanship in the reloading product. This warranty gives you specific legal rights, and you may also have other rights which vary from State to State.

CONTACT US:

RCBS
605 Oro Dam Blvd East
Oroville, California, 95965
1-800-533-5000 (US or Canada)
E-mail: rcbs.tech@vistaoutdoor.com
Website: www.rcbs.com



PRECISIONEERED RELOADING EQUIPMENT

We think we make the world's best reloading equipment.
If you agree, please tell your friends.
If you disagree, tell us—we want to do something about it!

Customer Service

1-800-533-5000 (U.S. or Canada)

E-mail rcbs.tech@vistaoutdoor.com, or visit www.rcbs.com

RCBS • 605 Oro Dam Blvd. East • Oroville, CA 95965