



AMPLUS 6 / BDC (OPTIONAL ACCESSORY)

Instruction manual

FOREWORD

Dear customer,
we wish you a great deal of enjoyment and every success with your new Leica product.

Please read this manual to familiarize yourself with the full scope of functions your product has to offer.

Please use this product only as described in this manual. Only then can safe and easy operation be guaranteed.

Your Leica Camera AG

Please read the chapters “Safety Remarks” and “Important Information” before using the product for the first time. Knowledge of the content will prevent inadvertent damage to the product, possible injuries and other risks.

LEGAL INFORMATION

LEGAL INFORMATION ABOUT THIS MANUAL

COPYRIGHT

All rights reserved.

All text, images and graphics are subject to copyright and other laws to protect intellectual property. They must not be copied, modified or used for any purpose including trade purposes.

TECHNICAL DATA

Product changes with regards to the product or services may have occurred after the editorial deadline. The manufacturer reserves the right to effect structural or shape changes, color deviations and changes to the scope of delivery or service, where these changes or deviations are reasonably acceptable for the customer, while taking into consideration the interests of Leica Camera AG. In that respect, Leica Camera AG reserves the right to changes and errors. The images in this manual may depict accessory, special features or other items that are not part of the standard scope of delivery or service. Some pages may contain model types and services, which are not offered in specific countries.

BRANDS AND LOGOS

The brand names and logos used in this document are protected trademarks. These brands or logos must not be used without prior approval by Leica Camera AG.

LICENSE RIGHTS

Leica Camera AG intends to provide you with innovative and informative documentation. Due to the amount of creativity that has gone into its design, we ask for your understanding that Leica Camera AG must protect its intellectual property, including patents, trademarks and copyrights and that possession of the documentation does not infer any licensing rights of the intellectual property of Leica Camera AG.

REGULATORY INFORMATION

You will find the manufacturing date of your product on the stickers on the packaging. The date format is year/month/day.

DISPOSAL OF ELECTRICAL AND ELECTRONIC EQUIPMENT

(Applies within the EU and for other European countries with segregated waste collection systems.)



This device contains electric and/or electronic components which must not be disposed of in general household waste! Make sure to bring this device to a local disposal collection point for recycling.

This service is free of charge. Any standard or rechargeable batteries used in this device must be removed and disposed of separately in accordance with local regulations.

Please contact your local authorities, waste disposal collection point or the retailer, from whom you purchased the device for more information on correct waste disposal.

SAFETY REMARKS

WARNING

Non-compliance with the following points may result in serious injury or death.

GENERAL INFORMATION

- Keep the device out of the reach of small children.
- Do not use the device while walking! You might trip and fall.

BATTERY

- Only the battery type stated and described in this manual must be used. Any improper use of the batteries or the use of unapproved battery types may result in an explosion!
- Do not expose the battery to sunlight, heat, humidity or moisture for prolonged periods of time. It must not be placed in a microwave oven or a high-pressure container as this would pose a fire or explosion hazard!
- Never dispose of batteries in fire and never attempt to heat, recharge, dismantle or break open a battery.
- Batteries must always be stored out of the reach of children. Do not leave batteries lying around, as they could be swallowed by children or pets.

CAUTION

Non-compliance with the following points may result in personal injury or damage to the device.

GENERAL INFORMATION

- Do not attempt to disassemble or modify the device; exposing the internal electronics may cause damage, injury or electric shock.
- The rifle scope should be mounted with the eye relief distance provided to prevent injury to the brow from the recoil of the eyepiece (see technical information for measurements).

IMPORTANT INFORMATION

GENERAL INFORMATION

- Damaged sealing rings must be replaced.
- Do not attempt to take the device apart yourself. Repairs must only be carried out in authorized workshops.
- Protect the device against any kind of shocks that are not caused by the weapon.
- Do not use excessive force when making adjustments via the setting turrets.
- Do not touch the glass surfaces with your fingers, especially if you have previously applied hand cream, insect repellent, etc. These substances may contain chemicals that damage or destroy the coatings on the glass surfaces.
- Make a note of the serial number of your device, as this information will be extremely important in case of loss.

BATTERY

- Low temperatures impair battery performance. Carry the device close to the body in cold conditions and use a fresh battery.
- Make sure to store the batteries in a cool, dry place.
- Depleted batteries must never be disposed of in household waste as they contain toxic materials that are harmful to the environment. Battery collection points are provided at most large retail outlets; alternatively, you can dispose of old batteries at a local special waste collection point to ensure correct recycling.

EYEPIECE

- An eyepiece can have the effect of a magnifying glass when exposed to direct frontal sunlight. The device must therefore be protected against extended exposure to direct sunlight. Storing the device in the shade or ideally in its case will help prevent damage to the device interior.

WARRANTY

In addition to your statutory warranty rights with regards to the seller, Leica Camera AG offers a 10-year warranty for the optics and housing of this Leica rifle scope, as well as a 2-year warranty for the electronics as stated in the conditions below. The Leica warranty does not impact on any statutory consumer rights in accordance with relevant national law or any consumer rights vis-a-vis the retailer arising from the purchase contract concluded between them.

WARRANTY CONDITIONS

By purchasing this Leica accessory, you have acquired a rifle scope that is manufactured in compliance with special quality standards, and which was thoroughly tested at each individual production step by experienced specialists. Our ten-year warranty for this product commences on the date of sale by an authorized retailer under the following conditions:

1. In case of a complaint due to a manufacturing fault, we will assume all material costs during the warranty period. We will additionally cover all required labor costs during the first five years. We shall decide at our own discretion to repair the faulty product, to replace faulty parts or to replace the entire product with a faultless product of the same type. All other claims of any kind and on whatever legal basis shall not be accepted in connection with this warranty.
2. Wear parts like eyecups, leather details, armoring, carry straps and accessories are exempt from the warranty. The same applies for surface damage.
3. Any warranty claims become void if the defect in question is a result of improper handling – which also includes the use of third-party accessories – or if the product was manipulated by

unauthorized persons or workshops or if the serial number of the product was rendered illegible.

4. Warranty claims can be submitted only in conjunction with the original proof of purchase – complete with the date of purchase, as well as the address and signature of an authorized retailer.
5. In case of a warranty claim, please send the Leica product, the original proof of purchase and a description of the fault to Leica Camera AG Customer Care or a Leica regional subsidiary.

PICK-UP SERVICE FOR REPAIR SUBMISSIONS

(Applies for EU only)

We will organize the shipping of your device to our Customer Care department if you should notice a problem with your device during the warranty period. Please contact our service hotline to make the necessary arrangements (+49 (0)6441 2080 189). Our pick-up service will collect your Leica product at the agreed time from your premises free of charge and transport it to our Customer Care location for evaluation.

Contact: en.leica-camera.com/Contact

TABLE OF CONTENT

FOREWORD	2	LEICA BALLISTIC CALCULATOR.....	26
LEGAL INFORMATION	2	CARE/STORAGE.....	27
SAFETY REMARKS	4	LEICA HUNTING APP.....	27
IMPORTANT INFORMATION	5	LEICA CUSTOMER CARE.....	28
WARRANTY.....	6		
TABLE OF CONTENT	8		
LEICA AMPLUS 6	10		
SCOPE OF DELIVERY	10		
REPLACEMENT PARTS/ACCESSORIES.....	11		
PART DESIGNATIONS	12		
PREPARATIONS.....	14		
INSERTING/CHANGING THE BATTERY	14		
MOUNTING.....	14		
DIOPTER SETTINGS.....	15		
SETTINGS AND OPERATION	16		
SETTING THE ENLARGEMENT	16		
SETTING THE LUMINOUS RETICLE.....	16		
ADJUSTING THE POINT OF IMPACT.....	17		
ZEROING THE TURRET SCALES.....	17		
PARALLAX COMPENSATION	18		
TECHNICAL DATA.....	19		
FAST RETICLE ADJUSTMENT BDC	20		
SCOPE OF DELIVERY	20		
PART DESIGNATIONS	21		
DELIVERY CONDITION	22		
ADJUSTING THE POINT OF IMPACT	22		
ZEROING THE SCALE.....	23		
SETTING THE ZERO STOP	24		

Definition of the various categories of information found in this manual**Note**

- Additional Information

Caution

- Non-compliance may result in damage to the device and accessories
- Non-compliance may result in personal injury

Warning

- Non-compliance may result in serious injury or death

LEICA AMPLUS 6

The rifle scope comes equipped with excellent optics. These optics deliver a clear, bright image even in difficult conditions or less than optimal lighting for a reliable reticle and a relevantly accurate and professional shot. The shooter can rely on this additional accuracy for narrow clearances or in difficult terrain. Its particularly rugged product design makes the Leica rifle scope a reliable companion for all types of hunting.

The rifle scopes with a 42 mm lens diameter or higher are optionally available with rapid reticle adjustment (Leica BDC). Leica BDC is the perfect solution to allow the intuitive aim you are used to, while compensating for any relevant point of impact compensation (see p. 20 for functional scope and operation).

SCOPE OF DELIVERY

The standard scope of delivery* contains the following:

- Rifle scope
- Transport cover
- Test certificate
- 1 lithium coin battery (CR 2032)
- Lens cloth
- Safety information
- Accessory brochure "Hunting"

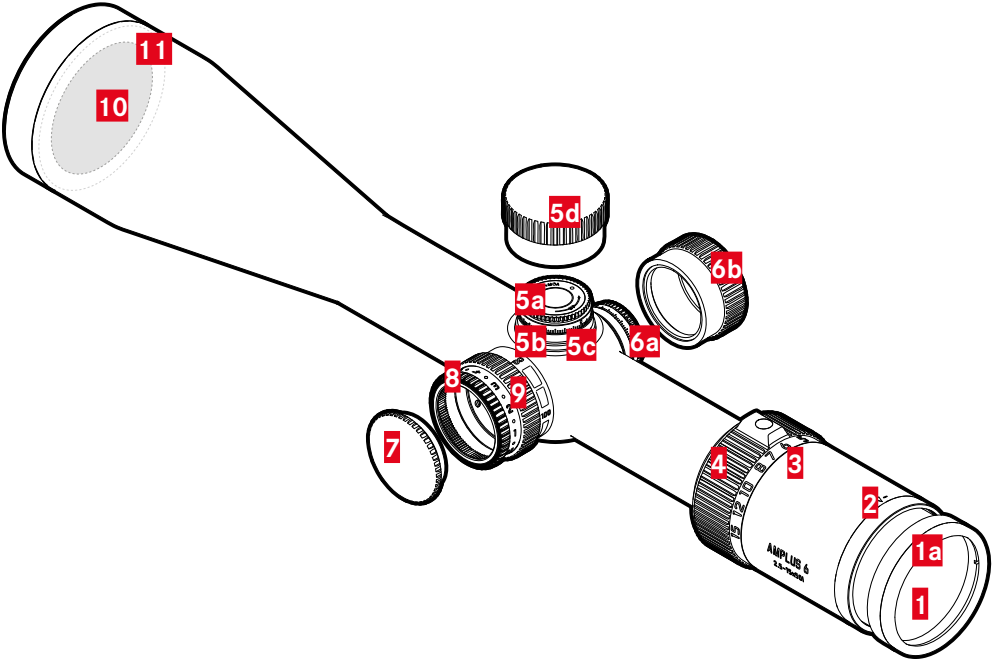
*The actual scope of delivery may vary depending on model.

REPLACEMENT PARTS/ACCESSORIES

Contact Leica Customer Care or your specialist Leica retailer for details on the latest spare parts/accessory range:

<https://en.leica-camera.com/Stores-Dealers/Leica-dealer-locator>

PART DESIGNATIONS



- 1** Eyepiece
 - a** Eyecups (rotating)
- 2** Index for diopter setting
- 3** Index for magnification setting
- 4** Magnification adjustment ring
- 5** Elevation adjustment turret
 - a** Knurled wheel
 - b** Scale
 - c** Index
 - d** Cover
- 6** Lateral adjustment turret
 - a** Knurled wheel
 - b** Cover
- 7** Battery compartment cover
- 8** Illumination adjustment ring
- 9** Parallax compensation adjustment ring
- 10** Lens
- 11** Filter thread

Caution

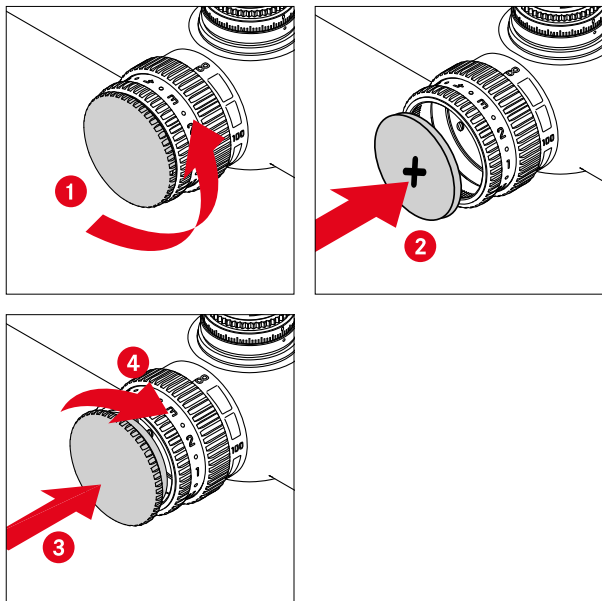
Never look directly at the sun or other bright sources of light through your Leica optics! Doing so may seriously damage your eyes!

Warning

Make sure the weapon is not loaded before doing any work or changing settings on the rifle scope and before changing batteries.

PREPARATIONS

INSERTING/CHANGING THE BATTERY



MOUNTING

The first prerequisite for a robust point of impact is the correct mounting of the rifle scope on the weapon. A wide selection of mounting parts are available from specialist retailers. We recommend using only high-quality parts from renowned manufacturers that match the quality characteristics of your Leica rifle scope.

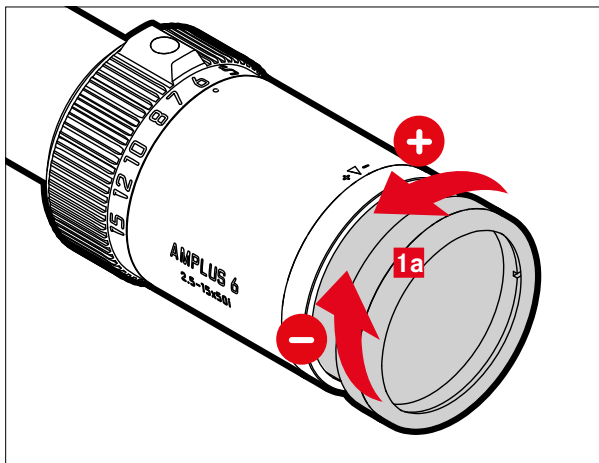
You can mount the device yourself, but you will have to ensure a perfectly aligned and tension-free structure. Leica strongly recommends contracting a specialist workshop.

Caution

- We recommend gluing the lower mounting ring to prevent any travel of the rifle scope within the ring mount.

DIOPTER SETTINGS

The viewfinder has a diopter setting function with a range between -3 and +2 diopter to allow glasses wearers the use of the Leica rifle scope without eyeglasses (diopter compensation).



- ▶ Aiming at a distant object
- ▶ Turn the eyecup **1a** until the object is perfectly in focus

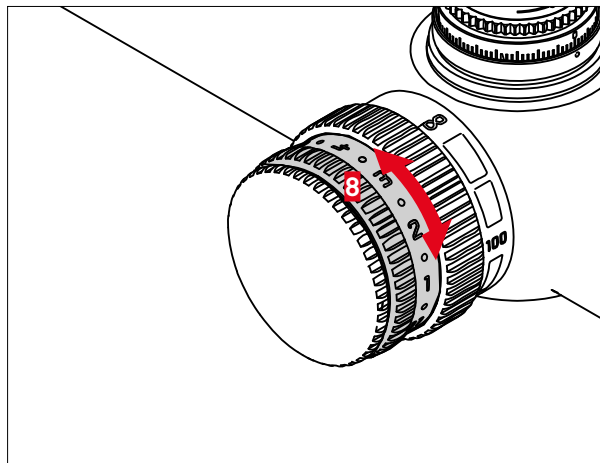
SETTINGS AND OPERATION

SETTING THE ENLARGEMENT

- ▶ Turn the magnification adjustment ring **4**
 - higher magnification = to the right
 - lower magnification = to the left

SETTING THE LUMINOUS RETICLE

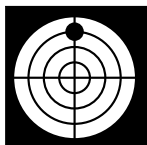
Reticle illumination is switched On or Off via the adjustment ring **8**. The brightness of the illuminated dot can be adjusted in multiple increments.



- ▶ Turn the setting wheel **8**
 - Level **•**: off
 - Level **1-5**: at night/twilight
 - Level **6-11**: in daylight

ADJUSTING THE POINT OF IMPACT

A calibration of the reticle to the weapon will be required in case of an offset of the point of impact. The procedure is the same on both setting turrets (elevation: **5**, lateral **6**).



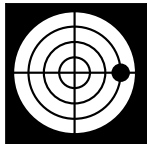
- Point of impact too high
(downward correction required)
- ▶ Turn the knurled wheel **5a** in clockwise direction



- Point of impact too low
(upward correction required)
- ▶ Turn the knurled wheel **5a** in anti-clockwise direction



- Point of impact too far left
(correction to the right required)
- ▶ Turn the knurled wheel **6a** in anti-clockwise direction



- Point of impact too far right
(correction to the left required)
- ▶ Turn the knurled wheel **6a** in clockwise direction

ZEROING THE TURRET SCALES

The procedure is the same on both setting turrets (elevation: **5**, Page **6**).

- ▶ Adjust the point of impact (see p. 17)
- ▶ Remove the cover over the setting turret **5d/6b**
- ▶ Lift the knurled wheel **5a/6a**
- ▶ Turn **0** positions back to index
- ▶ Push down gently on the knurled wheel **5a/6a** until it clicks into place
- ▶ Replace the cover of the ballistic turret **5d/6b**

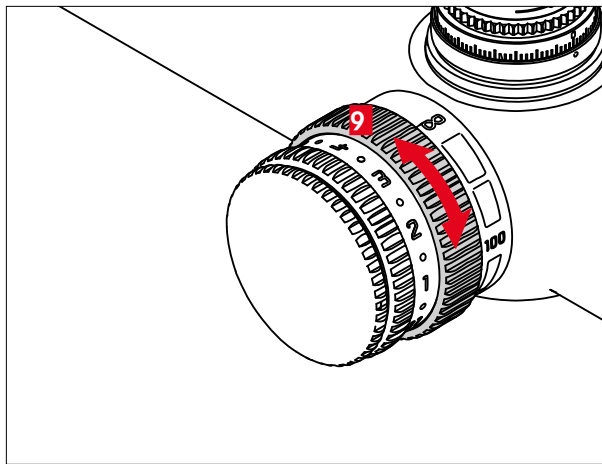
Note

- Once you have done your adjustments on knurled wheels, you can get back to the basic setting for the firing distance after any change to the point of impact by simply going back to the **0** positions, without having to remember or note down anything.

PARALLAX COMPENSATION

Leica rifle scopes with a maximum magnification of 12x are adjusted parallax-free up to a range of 100 m, so that you can see the reticle and the target at the chosen distance in perfect focus concurrently.

Any deviations in the point of impact with the eye not perfectly centered are generally negligible.



With larger magnifications, however, these deviations must be taken into consideration. That is why rifle scopes with magnification ranges above 12x have parallax compensation.

- ▶ Turn the adjustment ring **9** until the image of the target appears in perfect focus
 - We recommend using the highest magnification for the most accurate settings.
 - An optimum adjustment is achieved when reticle and image no longer move relative to one another when you change the position of your eye over the eyepiece.

TECHNICAL DATA

Leica Amplus 6	1-6x24i	3-18x44i	2.5-15x50i	2.5-15x56i
Lens diameter	24 mm	44 mm	50 mm	56 mm
Magnification	1 to 6x	3 to 18x	2.5 to 15x	2.5 to 15x
Zoom ratio	6	6	6	6
Exit pupil max./min.	12.2 - 4.2 mm	7.3 - 2.4 mm	11.6 - 3.4 mm	11.6 - 3.7 mm
Field of view max./min. (100 m)	38 - 6.3 m	12.4 - 2.1 m	15 - 2.8 m	14.8 - 2.5 m
Illuminated dot size (L-4a)	0.6 cm/100 m	0.6 cm/100 m	0.6 cm/100 m	0.6 cm/100 m
Number of brightness levels	10	10	10	10
Eye relief	>90 mm	>90 mm	>90 mm	>90 mm
Light transmission	>90 %	>90 %	>90 %	>90 %
Reticle image plane	2.	2.	2.	2.
Available reticles	L-4a	L-Ballistic MoA	L-4a, L-Ballistic	L-4a, L-Ballistic
Lens coating	Aqua Dura®	Aqua Dura®	Aqua Dura®	Aqua Dura®
Diopter compensation	-3/+2 dpt	-3/+2 dpt	-3/+2 dpt	-3/+2 dpt
Parallax-free	-	setting range 20 m - ∞	setting range 20 m - ∞	setting range 20 m - ∞
Center tube diameter	30 mm	30 mm	30 mm	30 mm
Length	260 mm	303 mm	380 mm	380 mm
Weight	480 g	670 g	700 g	730 g
Mountings	Rings	Rings	Rings	Rings
Max. adjustment track elevation/lateral (cm/100 m)	300 x 300 cm	230 x 230 cm	150 x 150 cm	180 x 180 cm
Impact point correction / click (cm/100 m)	1 cm (0.1 mil / 0.1 mrad)	1/4 MoA	1 cm (0.1 mil / 0.1 mrad)	1 cm (0.1 mil / 0.1 mrad)
Filter thread on lens side	M28 x 0.6 mm	M48 x 0.6 mm	M58 x 0.6 mm	M62 x 0.6 mm
Impermeability (nitrogen-filled)	4 m water depth	4 m water depth	4 m water depth	4 m water depth
Reticle lighting	Point	Point	Point	Point
Power supply	CR2032 - lithium coin battery, nominal voltage 3 V, capacity: 230 mAh	CR2032 - lithium coin battery, nominal voltage 3 V, capacity: 230 mAh	CR2032 - lithium coin battery, nominal voltage 3 V, capacity: 230 mAh	CR2032 - lithium coin battery, nominal voltage 3 V, capacity: 230 mAh

Subject to changes in design, production, and scope of delivery.

FAST RETICLE ADJUSTMENT BDC

(optional accessory)

The Leica fast reticle adjustment BDC (Bullet Drop Compensator) is an optional accessory you can add to your Leica rifle scope.

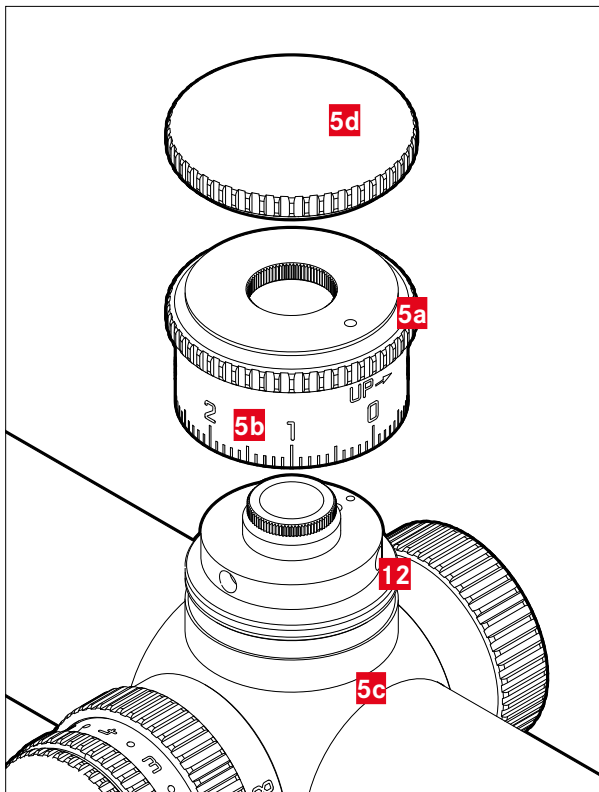
SCOPE OF DELIVERY

- Fast reticle adjustment BDC (BDC unit)
- Hex key SW 1.5 mm

Note

- Possible deviations from the product images do not influence the basic functions and handling of the product.

PART DESIGNATIONS



- 5** Elevation adjustment turret
 - a** Knurled wheel
 - b** Scale
 - c** Index
 - d** Cover
- 12** Zero stop with attachment screws (hex key SW 1.5 mm)

DELIVERY CONDITION

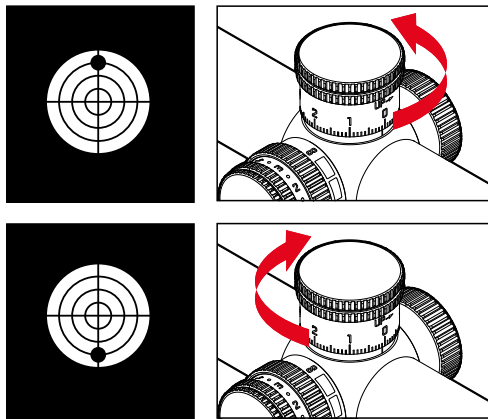
Upon delivery, the reticle of the Leica rifle scope is set to the mechanical midpoint of the total adjustment track.

ZEROING

- ▶ Mounting the rifle scope (see p. 14)
 - Ensure the best possible parallelism of the rifle scope and weapon, so that the adjustment range for zeroing compensation is minimal.

ADJUSTING THE POINT OF IMPACT

- ▶ Align the weapon so that the center of the target is visible centrally when looking through the barrel
 - The system lock must be removed.
- ▶ Look through the attached rifle scope and correct the offset of the target marker to the center of the target by turning the elevation and/or lateral adjustment
 - Do not change the position of the weapon while doing so.
- ▶ Check again, whether the target marker and the center of the barrel are aligned and can be seen congruently on the target



Notes

- Depending on the mounting type, there may be a limited adjustment track available in use after zeroing. You can use a relevantly tilted downward mounting if the total adjustment track is too short.
- We recommend use of a mounting tilted forward by around 10 MOA. This mounting gives you an additional approx. 29 cm per 100 m adjustment track.

ZEROING THE SCALE

- ▶ Make sure that the rifle scope and weapon are zeroed in
- ▶ Remove cover **5d**
- ▶ Slide the knurled wheel with scale **5a/5b** up and off and replace in the desired position
- ▶ Replace cover **5d**

Note

- The scale ring must be held in place while the knurled wheel is removed and then replaced to prevent inadvertent setting changes.

SETTING THE ZERO STOP

Zero Stop is a freely definable height adjustment stop, with which the adjustment range can be limited. It offers a palpable stop without having to take your eye off the lens. Zero Stop is deactivated ex works.

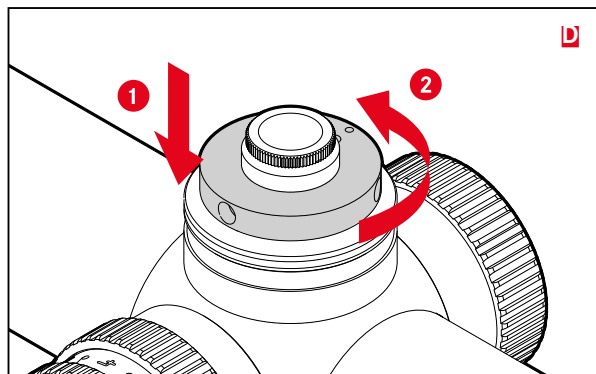
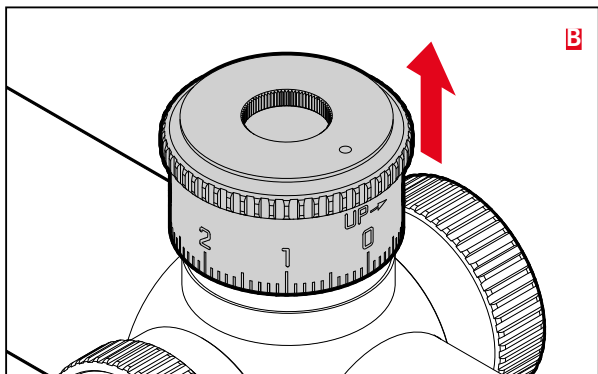
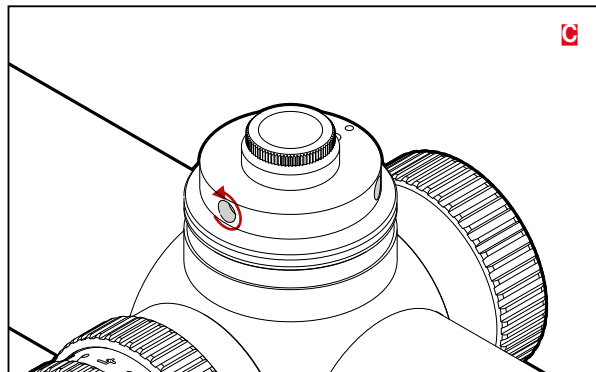
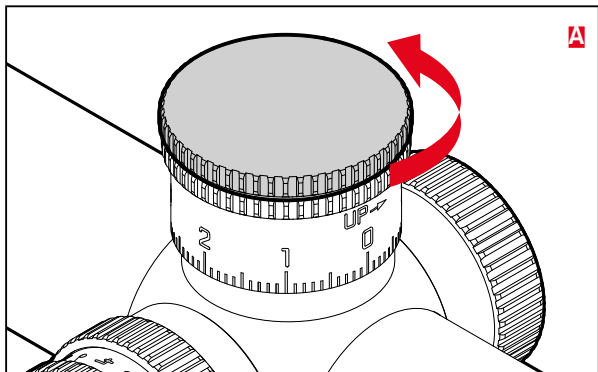
Setting the Zero Stop

(Fig. **A–C**)

- ▶ Turn the elevation adjustment turret **5d** in anti-clockwise direction
- ▶ Slide off the knurled wheel with scale **5a/5b**
- ▶ Use the hex key to release the three attachment screws
- ▶ Push down the Zero Stop **12**
- ▶ Turn in anti-clockwise direction to the stop
 - Make sure that the two cams fit seamlessly together.
- ▶ Use the hex key to tighten the three attachment screws
 - Don't use too much force!
- ▶ Replace the knurled wheel with scale **5a/5b** in the desired position
- ▶ Turn the elevation adjustment turret **5d** in clockwise direction and tighten it to secure the setting

Notes

- Ensure that the three attachment screws are sufficiently tightened to prevent accidental changes to the setting. Don't use too much force!
- Once the zero stop is set, a downward calibration of the point of impact of the BDC is no longer possible.
- The knurled wheel with scale must be held in place while the cover of the elevation adjustment turret is removed or replaced to prevent inadvertent setting changes.



LEICA BALLISTIC CALCULATOR

We recommend using the Leica Ballistic Calculator to take full advantage of the reticle quick adjustment.

Taking into account relevant parameters like firing distance, line of sight height, temperature and elevation, the Leica Ballistic Calculator can calculate the trajectory for virtually any ammunition.

The Ballistic Calculator can be found here:

ballistictool.leica-camera.com

LEICA BALLISTIK RECHNER

NEUE KONFIGURATION ERSTELLEN

Profilname Metrisch Datenbank Handlung

DATENBANK-KONFIGURATION

Sollte kein angebotener ballistischer Datensatz Ihrer Laborierung entsprechen, haben Sie die Möglichkeit, Ihre Daten individuell zu erzeugen.

Kaliber **Achtung:** Überprüfen Sie die tatsächliche Mündungsgeschwindigkeit oder den tatsächlichen Geschosstabell ihrer Waffe - Munition - Kombination, damit Sie absolute Präzision für die entsprechenden Schussentfernungen erzielen.

Hersteller

Geschoss

Vielreihenhöhe	Marschhöhe	Temperatur
<input type="text" value="50"/> mm	<input type="text" value="0"/> m	<input type="text" value="15"/> °C
Fluchtschussdistanz	Absoluter Luftdruck	
<input type="text" value="100"/> m	<input type="text" value="1013.25"/> mbar	

Der einzugebende Dezimaltrenner (Punkt oder Komma) hängt von Ihrem Internet-Browser und Land ab. Meistens wird der Punkt "." als Dezimaltrenner akzeptiert. Die korrekte Eingabe wird durch einen blauen Rahmen des Eingabefeldes angezeigt. Andernfalls wird ein roter Rahmen angezeigt.

CARE/STORAGE

- Your Leica product requires no special care.
- Coarse dirt particles like sand can be removed with a soft brush or simply blown off.
- Fingerprints, etc. on front lenses and eyepiece lenses can be pre-cleaned with a damp cloth and then wiped dry with a clean leather or lint-free cloth.
- Do not use alcohol or chemical cleaning solutions on the optics or housing.
- Do not use excessive force when cleaning a severely soiled lens surface. The coating is abrasion resistant, but not impervious to sand or salt crystals.
- The housing should be cleaned using a damp leather cloth only. Using a dry cloth may cause friction, which may result in a static discharge.
- Always rinse off any traces of salt water! Dried salt crystals could damage the surfaces.
- The device should be stored in a well-ventilated, dry and cool place to prevent fungal growth (particularly important in humid climates).
- Remove the battery from the housing if you will not be using the product for an extended period of time.

LEICA HUNTING APP

You can create and store your personal ballistics profiles with the Leica Hunting app. You will have to install the Leica Hunting app on a mobile device.

- ▶ Scan the following QR code with the mobile device

for iOS:



for Android:



or

- ▶ The app is available from Apple App Store™/Google Play Store™

LEICA CUSTOMER CARE

Please contact Leica Camera AG Customer Care for the maintenance of your Leica equipment and for help and advice regarding Leica products and how to order them. You can also contact the Customer Care department or the repair service provided by your regional Leica subsidiary for repairs or warranty claims.

Leica Camera AG

Leica Customer Care
Am Leitz-Park 5
35578 Wetzlar
Germany

Phone: +49 (0)6441 2080-189

Fax: +49 (0)6441 2080-339

Email: customer.care@leica-camera.com

www.leica-camera.com