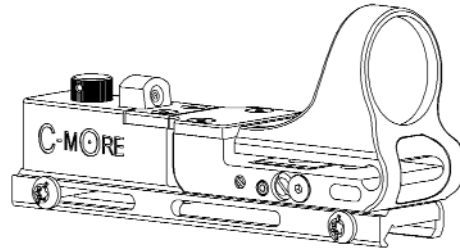




RAILWAY

Instruction Manual



Railway Models: RW, CRW, ARW
Tactical Railway Models: TRW, CTRW, ATRW

C-MORE Systems

Voice - 703-361-2663
Fax - 703-361-5881
e-mail - sales@cmore.com
web - www.cmore.com

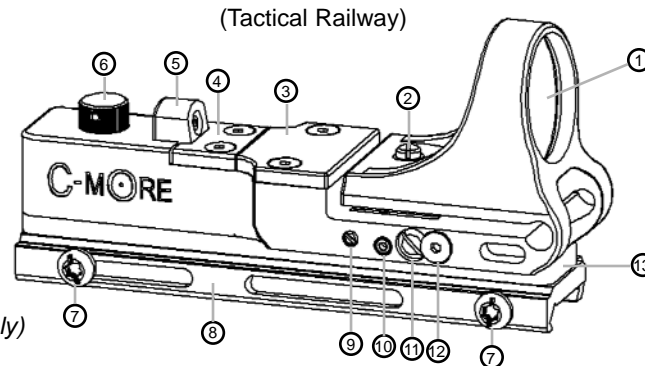
© C-MORE Systems 1993-2008

CMS-IB-RW-041608

Congratulations! You are now the owner of the most advanced reflex sighting system available. You have displayed excellent judgement in your purchase, and you will be rewarded with unparalleled performance. Use it with pride, but please familiarize yourself with the system first.

PLEASE read instructions before operating or installing this sighting system.

1. Beam Splitter Lens
2. Elevation Adjustment Screw
3. Battery Cover
4. Diode Cover
5. Diode Module
6. Intensity Switch
7. Clamp Screw
8. Railway Base
9. Windage Guide Pin
10. Elevation Locking Screw
11. Windage Adjustment Screw
12. Windage Locking Screw
13. Tactical Spacer Plate (Tactical Railway Only)



PACKAGE CONTENTS

Models - RW, CRW, TRW, CTRW (Polymer Bodies)

Qty 1 - Instruction Manual

Qty 1 - Railway Red Dot Sight

Qty 1 - Hardware Pack = (1) Hex Wrench 1/16, (1) Hex Wrench 5/64, (1) Torx Wrench T20,
(2) Extra Cover Screws

Models - ARW, ATRW (Aluminum Bodies)

Qty 1 - Instruction Manual

Qty 1 - Railway Red Dot Sight

Qty 1 - Hardware Pack = (1) Hex Wrench 1/16, (1) Torx Wrench T20, (2) Extra Cover Screws

INTENSITY SWITCHES

C-MORE sighting systems are available with two switch styles, standard and click adjustable. The standard is a dial rheostat switch with a continuous adjustment through the wide intensity range. The click adjustable switch has 12 positions. The first position is off and the second and third are for night vision (low / high) and are not visible. Positions 4 - 12 are the visible intensity settings giving you a wide range of adjustment for any lighting condition.

INTENSITY ADJUSTMENT

The intensity of the dot needs to be adjusted to the lighting condition in the operating area. The dot should appear bright but not glaring. For example, outside in bright sunlight you will most likely use the brightest setting, while at dawn or dusk, or indoors you will need to use one of the lower settings. The first two positions on the click switch are extremely dim and can only be seen through a Night Vision device.

INSTALLATION

STOP!! Make sure your firearm is unloaded and the magazine and ammunition has been removed before proceeding!

The Railway sight can be installed on most Picatinny (MIL-Std 1913) and Weaver style mounts.

- 1) Loosen the Clamp Screws two revolutions with the Torx Wrench provided.
- 2) Position the sight on top of the Picatinny or Weaver Rail and align the front clamp screw so it can fall into the nearest slot, then slide the rear clamp screw into the rear most available slot.
- 3) Insert the long arm of the Torx Wrench into the clamp screws and tighten them until the clamps start to tighten around the rail. Before the sight is snug, push it forward on the rail to take up the slack and then continue to tighten until the clamp screws are just snug.
- 4) Once the screws are snug, insert the short arm of the wrench into the clamp screws and tighten them an additional 1/4 to 3/8 of a turn. **DO NOT OVERTIGHTEN!!**

After 10-25 rounds have been fired, check to ensure the sight is still tight on the rail and re-tighten if necessary. If the sight is mounted on a large caliber firearm, it may be necessary to purchase an additional clamp set and install into the center slot on the Railway Base.

ZEROING

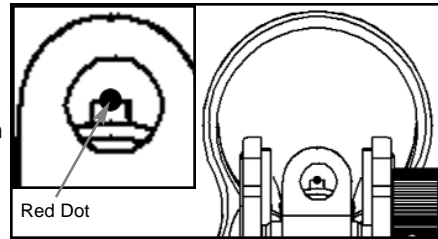
STOP! Before sighting in, read and follow ALL manufacturer's precautions and safety instructions for handling your firearm. BE SAFE! Know the NRA's rules for safe gun handling.

ADJUSTMENT NOTES:

- 1) The windage and elevation adjustment screws both have locking screws which must be loosened before the sight can be adjusted. Failure to do so could result in damage to the sight.
- 2) The adjustment screws are extremely sensitive, especially the elevation screw. You will only need to turn them slightly to change your point of impact.
- 3) The adjustment screws are tight to turn. This is normal. Make sure to use a screwdriver that fits the slot correctly and make sure the locking screws are loose before attempting to make adjustments.
- 4) Elevation: Clockwise moves point of impact up.
- 5) Windage: Clockwise moves point of impact right.
- 6) Remember to loosen the locking screws before making an adjustment and lock the locking screws after each adjustment.
- 7) When making final adjustments, tune the elevation first and lock it down, then repeat for the windage.

ZEROING PROCEDURE: CO-WITNESS (Tactical Railway)

- 1) Zero the weapons iron sights first.
- 2) Turn the sight on and adjust the brightness to suit the lighting condition.
- 3) Loosen the locking screws for the windage and elevation screws.
- 4) While taking a normal iron sight picture, adjust the windage and elevation so the red dot is positioned on the front post as shown (right).
- 5) Lock the locking screws and confirm dot position.



Notes: The dot should be centered on the post and the top of the post should split the dot horizontally.

ZEROING PROCEDURE: NO CO-WITNESS

- 1) Turn the sight on and adjust the brightness to suit the lighting condition.
- 2) Shoot a 3 shot group at a target 10 yards away to get on paper.
- 3) Loosen the locking screws and adjust the windage and elevation so your group is centered and 2 to 3 inches low.
- 4) Since the sight can only be zeroed for one distance, zero for the farthest distance you will shoot with this firearm.
- 5) Shoot a 3 shot group at the final distance you determined in step 4.
- 6) Adjust the windage and elevation until zero is achieved.

MAINTENANCE

The sight does not require any special maintenance other than keeping it clean and making sure everything is tight. Doing the following after each shooting session, will ensure the sight a long life.

- 1) Clean the sight. Use a soft clean cloth to wipe down the sight body (Not the Lens) and remove powder residue.
- 2) Clean the lens. The hard coated glass lens is very durable, but periodic cleaning is necessary. Use a clean gauze, facial or lens tissue and any commercial glass cleaner or soap and water. Dust, dirt and powder residue can be very abrasive, so a thorough rinsing before wiping will help to protect from scratching while cleaning.
- 3) Clean the diode. Powder residue will build up around the hole where the light is emitted. This can make the dot appear distorted. The best way to combat this is to blow off the face of the diode with compressed air after shooting. You can use canned air for cleaning computer keyboards.

- 4) Check the mounting. Check to make sure the sight is mounted securely. DO NOT OVERTIGHTEN!
- 5) Check the locking screws. Check to make sure the locking screws are tight. DO NOT OVERTIGHTEN!
- 6) Check the Guide Pin. The Guide Pin is next to the Elevation Lock Screw on the right side of the sight. It is not an adjustment screw. The Windage Block slides on this pin when windage adjustments are made. The pin simply screws in until tight. Make sure it has not loosened and tighten if necessary. DO NOT OVERTIGHTEN!

BATTERY REPLACEMENT

The 3 volt lithium battery (Duracell DL1/3N or Energizer 2L76) is located in the battery compartment on the top of the sight. You will need to remove the battery cover which is the larger of the covers. Using the hex wrench provided, remove the two flat head hex screws and the cover (ARW, ATRW have thumb screws). Place the hex wrench in the groove in the front side of the battery compartment to elevate the battery and facilitate its removal. Make sure the orange rubber shims behind the battery contacts don't fall out. Note the polarity of the battery and install the new one with the same orientation (negative to left). Replace the battery cover and reinstall screws. DO NOT OVERTIGHTEN!

DIODE MODULE REPLACEMENT

Diode Modules are available in 6 different sizes and are color coded on the bottom of each module: 2 moa (red), 4 moa (green), 6 moa (blue), 8 moa (yellow), 12 moa (orange), 16 moa (purple).

REMOVAL

You will need to remove the diode cover which is the smaller of the two covers on the top of the sight. Using the hex wrench provided, remove the two flat head hex screws and the cover. It may be helpful to remove the battery cover as well. Using a pair of pliers, grasp the diode module on the sides and pull straight up. This will unplug the module from its socket. You may want to use a cloth on the diode module before grasping to prevent scratching.

INSTALLATION

With the diode module facing the lens, insert the module into its socket paying special attention that the 8 pins on the module align with the 8 sockets. Push the module straight down until the retaining shelf is flush with the top of the sight surface. Replace the diode cover and reinstall the screws. DO NOT OVERTIGHTEN! Moderately snug is sufficient. It will be necessary to check your zero and fine tune if needed.

WARRANTY

This product is warranted against original defects in material and/or manufacturing for one year. This warranty is void if the unit has been abused, disassembled, or modified/tampered with in any way from its original configuration.

This warranty does not apply to defects caused by normal wear and tear, improper handling, incorrect installation, accidents, alterations/modifications to the original configuration, repairs made by unauthorized parties, aftermarket accessories, or abnormal use. Due to the fragile nature of glass, the lens is specifically excluded from warranty coverage.

This warranty is limited to the original purchaser and is not transferable.

Pat. No. 5,369,888 Pat. No. 5,383,278 Other U.S. & Foreign Patents Pending.