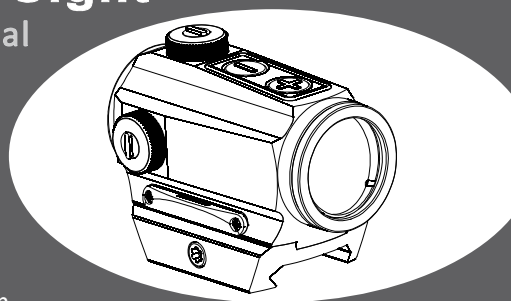


Red Dot Sight User's Manual

www.holosun.com



Thank you for purchasing the PARALOW HS403B Red Dot sight, Please read the User's Manual carefully.

Model

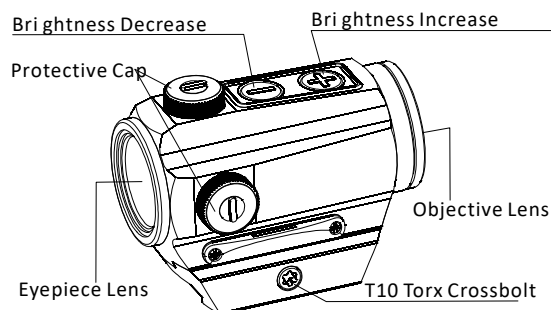


Fig1 PARALOW HS403B Red Dot Sight

Features

- 1. Concealed aiming:** The HS403B projects its aiming dot in a way that prevents visibility when viewed from the front beyond several meters.
- 2. Full field of view for target acquisition:** The user can gain rapid target acquisition and situational awareness while aiming with both eyes open.
- 3. Low power consumption:** Only a few micro-amperes of current are required for sight operation. Sight runs on one battery for up to 30,000 hours.
- 4. Motion power on:** The sensitive motion sensor will turn the power on with any motion detection when in sleep mode.
- 5. Parallax free optical system:** Parallax is $\leq \pm 1\text{MOA}$.
- 6. Sleep time delay:** The sight will be automatically entered into sleep mode motionless for 8 hours.
- 7. Brightness adjustment:** There are 12 settings (10 Daylight+2NV) for the reticle so as to match the ambient lighting conditions.
- 8. Memory function:** The sight will remember the last saved brightness setting when powered on and off.
- 9. Two top mounted buttons:** The top mounted buttons allow for easy operation without obstructing the user's vision.
- 10. Waterproof:** IP67

Important notices

1. Ensure that the firearm is completely unloaded and safe before device installation or installing/replacing the battery.
2. Please keep the packaging should you need to make a warranty claim.

Battery

1. The operating voltage for this device is DC3V using one high quality CR2032 Lithium battery.
2. The battery life is rated up to 50,000 hours at a mid-brightness setting.
3. Battery Replacement:
Please follow the steps below for battery replacement

when battery runs out or for other conditions that require the battery to be changed :

1) Removing the battery (Fig 2-1):

- a) Loosen screws 1,2.
- b) Insert coin or similar object in the battery tray slot, pry out the battery tray, and remove the discharged battery by lifting it up. A tool is provided for this purpose.

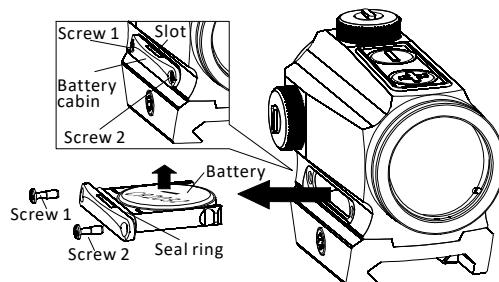


Fig 2-1

2) Battery installation (Fig 2-2):

- a) Insert the 2032 battery into the battery tray with oriented with the POSITIVE SIDE DOWN.
- b) Insert and press the tray into the battery compartment.
- c) Fasten screw 1,2.

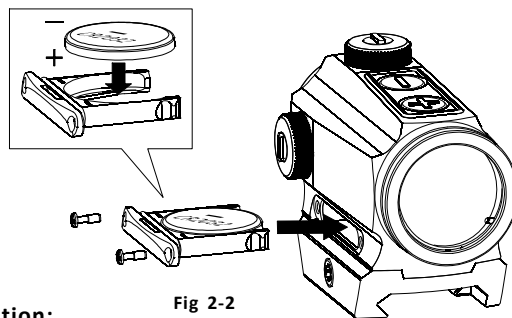


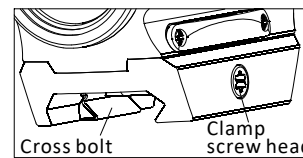
Fig 2-2

Caution:

The loss or damage of seal ring will cause water to leak into the compartment and may damage electronic circuits and the device.

Installation

1. The included mount is compatible with Picatinny Rails.
2. First insert the appropriate Torx wrench (included) into the cross bolt head, then rotate to loosen cross bolt then attach the sight into a suitable position, and finally tighten the clamp screw to 15 IN/LBS using non-permanent thread locker. (Fig3)



Sight operation

The operation panel is on the top of sight. (see Fig4)

1. Operation

- 1) Switch on: Press and release either brightness button ("+" or "-") to turn on the sight.
- 2) Brightness adjustment: There are 12 brightness settings. The default brightness is the 7th level. Press the "+" or "-" button until the red dot has a sufficient intensity to contrast against the target. One momentary press changes brightness by one step.
- 3) Power off: Press the "+" and "-" buttons simultaneously to turn the power and motion sensor off.

Note: The sight will remember the last saved brightness setting when powered on and off.

2. Motion sensor

- 1) Motion sensor is always enabled when the sight is on or in sleep mode.
- 2) The sight will instantaneously wake up and turn on with any motion detection to last saved setting.

3. Sleep Timer Delay

- 1) Please note that by default your red dot will automatically enter into sleep mode after 8 hours of no movement.
- 2) The sleep time delay can be adjusted from 0 to 12 hours.
- 3) Sleep timer delay
 - a) Press the "+" button for 3 seconds to enter time adjustment mode. The red dot will blink. The number of blinks represents the current time delay. One blink represents one hour of time delay. For example, 8 blinks equals 8 hours.
 - b) Press the "+" or "-" button to set the time. Pressing "+" or "-" one or more times will increase or decrease the time by one hour for each press. The LED will blink once to confirm each button press. If the sleep timer delay is set to "0" blinks the feature is disabled. 5 rapid blinks confirms this setting.
 - c) Press the "+" button for 3 seconds to confirm the new setting and exit the time adjustment mode.

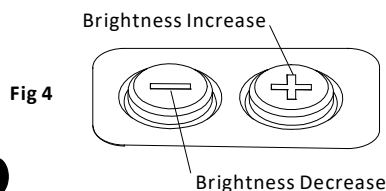


Fig 4

Zero setting

1. On top of sight is the elevation adjusting turret, windage adjusting turret is on the right side (see Fig5). The sight has been factory adjusted for approximate zero.
2. The built in screw driver tool on the protective cap can be used for zeroing alignment (see Fig5). See label inside cap.
3. First open the protective lid (see Fig1), position slot type screwdriver on the slotted screw, then rotate the screw to right or left for adjustment. Each left or right click is for one adjustment, equivalent to 0.5MOA value.
4. Adjust the Elevation turret counterclockwise to move the point of impact UP. Adjust the Windage turret counterclockwise to move the point of impact to the RIGHT. Turning either turret clockwise moves the point of impact in the opposite direction.
5. Caution:
Don't try to over rotate a turret, if you feel the turret can

not be rotated, this indicates you have reached the adjustment limit, otherwise the device may be damaged. If the required adjusting range is beyond the limits, consider adding an extra spacer between the device and mounting rail to allow for additional adjustment.

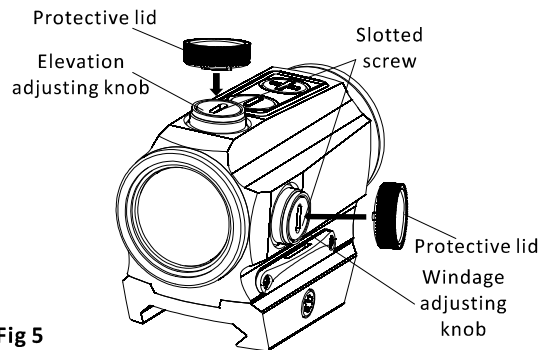


Fig 5

Maintenance and care

This device is a precision instrument that deserves reasonably cautious care. The following tips are provided to ensure long lasting use of the sight.

The optical system, including the objective lens and eyepiece lens are multi-coated optical glass. When cleaning the lenses, blow away the dust on surface, wet the lens with lens cleaner or clean water, wiping the fingerprint or other oil stain with lens tissue, soft cotton or microfiber cloth. No special maintenance is needed for the housing surface. Avoid touching the glass surface with dry cloth or tissue paper. Do not use organic solvents such as alcohol or acetone. Do not try to dismantle the device as the internal parts are specially cleaned and sealed and with an anti-fog treatment. Any such attempt will void the warranty.

If repair is needed, you can call our customer service center, visit our website, or send an email to us.

Limited warranty

SUMMARY

We provide a limited lifetime warranty from the date of purchase on parts and workmanship to the original purchaser. At our sole discretion, we will repair or replace product found to be defective under normal use and service without charge, excluding any delivery costs, which will be born by purchaser.

We will not be liable for incidental, consequential, or special damages arising out of or in any connection with the use or performance of this product. This warranty is void if the product has been misused, modified, neglected, or disassembled prior to its return.

Please refer to <http://www.holosun.com> for current and complete warranty information and other conditions.

**PARALOW HS403B
Red Dot sight**

HOLOSUN
Holosun Technologies Inc.
www.holosun.com

Customer Service

Phone: 909-594-2888
Email: warranty@holosun.com